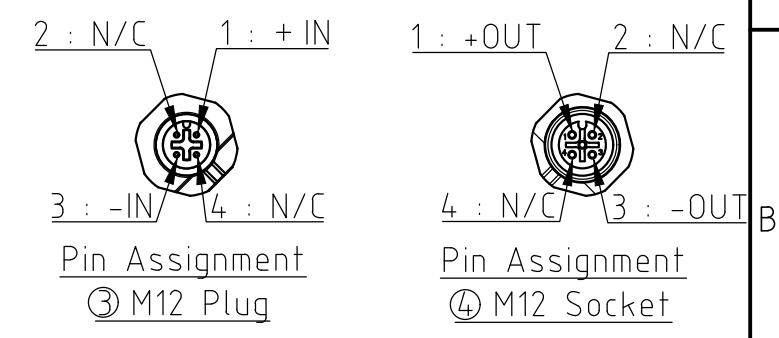
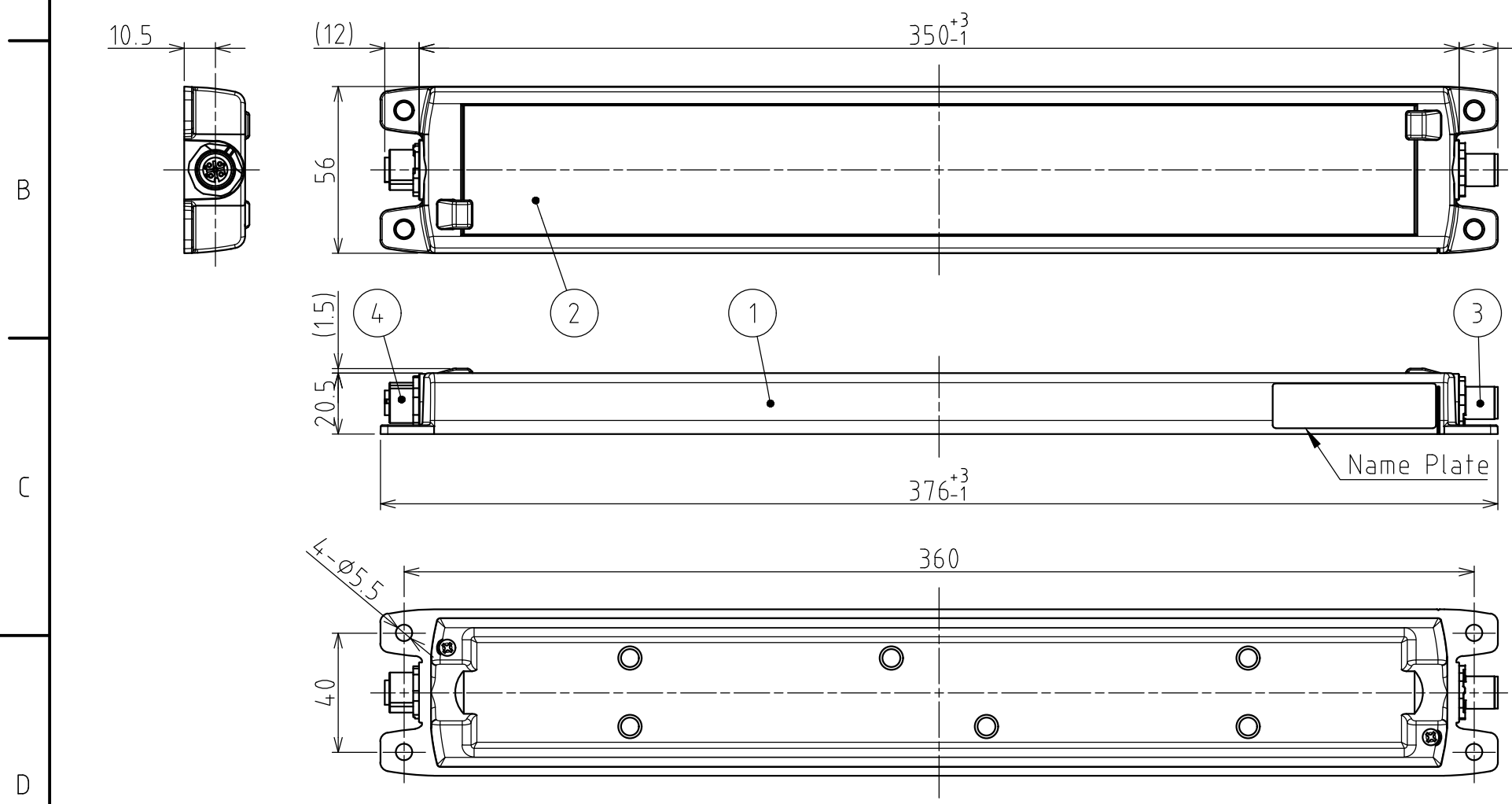


SPECIFICATIONS

[General Specifications]

Product Name	LED Work Light	
Model	CLK3CL-24SG	
Color Code	CD	
Luminous Color	Daylight	
Color Temperature (typ.)	6500 K	
Illuminance (typ.) (Center, at 24V DC)	1.0m	1200 lx
	2.0m	300 lx
Total Luminous Flux (typ.)	1300 lm	
Rated Voltage	24V DC (Polarized)	
Operating Voltage Range	24V DC ±10%	
Rated Current Consumption	522 mA ±10%	
Rated Power Consumption	12.5 W	
Operating Ambient Temperature	-40°C to +60°C	
Operating Ambient Humidity	Less than 90% (No condensation)	
Main Unit Material	Body : Stainless Steel Lens : Tempered Glass	
Mounting Location	Indoor	
Mounting Direction	All Directions	
Protection Rating	IP66G/67G (JIS C0920) / 69K (DIN 40050 part9)	
Environmental Condition	With the Recommended cables connected (Except Cable Terminal)	
Vibration Resistance	19.6 m/s ² (JIS C 0911-1984)	
Insulation Resistance	More than 5MΩ at 500VDC between live part and non-current carrying metallic part	
Withstand Voltage	500V AC applied for 1min between live part and non-current carrying metallic part without breaking insulation	
Mass (Tolerance ±10%)	1490 g	
Outer Dimensions	Refer to the Outer Dimension Drawing	
Conformity Standards	EMC Directive (EN IEC 55015, EN 61000-6-2) RoHS Directive (EN IEC 63000)	
Remarks	<ul style="list-style-type: none"> • Conforms to the CE requirements • Specifications may change without notice due to continual product improvement. • Due to the inherent properties of the LED, color variations and hue may occur. • This product's illuminance may be affected when used in airtight conditions. • When using the Optional Daisy link Cable, a voltage drop may occur due to the current consumption. • Model Number Configuration <div style="text-align: center; margin: 10px 0;"> <p>CLK3 - 24SG - CD</p> </div> <ul style="list-style-type: none"> ● Luminous Color CD : Daylight ● Main Unit Material SG : Body: Stainless Steel Lens: Tempered Glass ● Connector Specifications CL : M12 Daisy Link 	



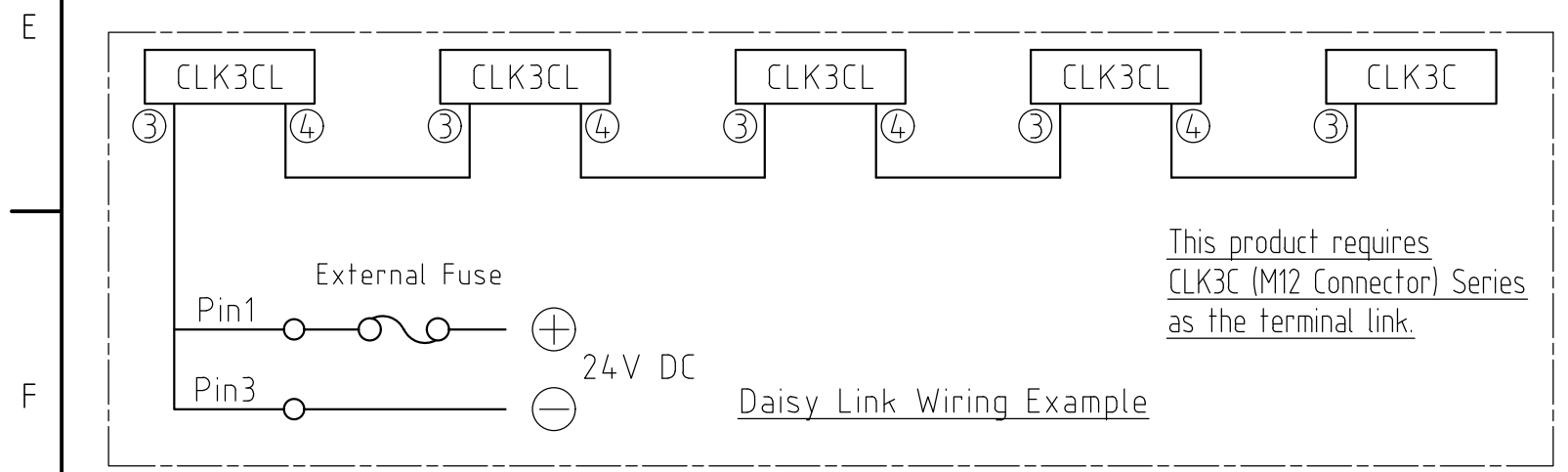
Note

1. For wiring, it is recommended to use the Recommended Cable.

2. When linking together, be sure to use it within the maximum number of links.

Maximum Connections:5 units
[Breakdown]
Daisy Links(3CL Series):4 units+ Terminal Link (3C Series):1unit

Recommended Cable	Order No.	Model	Manufacturer
4-wire M12 SUS Socket Cable, 5m length	1454082	SAC-4P-5,0-28X/M12FS OD	Phoenix Contact Corp.
4-wire M12 SUS Link Cable, 2m length	1454105	SAC-4P-M12MS/2,0-28X/M12FS OD	Phoenix Contact Corp.



番号 No.	部品名 Part Name	数量 Qty.	記事 Remarks
4	M12 Socket	1	
3	M12 Plug	1	
2	Glass (Lens)	1	Tempered Glass
1	Body	1	Stainless (SUS316 equivalent)

機種 Model	CLK3CL-24SG	特注No. S.P.No.	-	図名 Name	Outer Dimensions Drawing
品目コード Part No.	-	尺度 Scale	-	三角法 3rd Angle P.	単位 Unit mm
		株式会社 PATLITE Corporation		Ver.2.2 A3	