

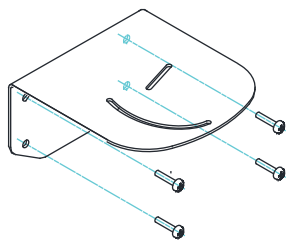
① Use four M5 screws (or equivalent) to mount the bracket.
Adjust the bolting torque in accordance with the quality of the surface material of the wall, or the screw length.

CAUTION

- The clamping surface should be level and sufficient enough to tolerate shock, vibrations and the weight of the product.
- All four mounting screws should be used.

MEMO

- The screws needed to mount to the surface of the wall is not included.
- The customer needs to supply the mounting screws in accordance to the construction material of the wall surface to be mounted on.



② Using the three mounting screws supplied with the bracket, attach the LA6-POE to the bracket as shown on the right.

Remomended Torque

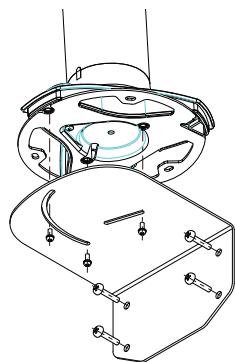
0.6 N·m (Standard)

CAUTION

- Be sure to use three mounting screws and to tighten them with the recommended torque.

MEMO

- Don't use the protective sheet provided with the bracket.
- Attach the rubber sheet to the product without it sticking onto the bottom plate.



4. Specifications

Model	NH-WST2
Compatible Models	NH-FV series, LA6-5DSNWB-POE
Mounting Direction	Upright
Operating Ambient Temperature	0 to 40 °C (When NH-FV is mounted) / -10 to 50°C (When LA6-POE is mounted)
Mass	400g ± 10% (Accessories not include)
(Remark) There are no contents of controlled substances exceeding the threshold for the ROHS Directive.	

- PATLITE Corporation disclaims all liability for any malfunction or damage occurring as result of handing contrary to the instructions, cautions and warnings mentioned in this manual.
- The contents of this manual are subject to change without notice for improvement.

PATLITE Corporation G2J

PATLITE Corporation ※Head office	■ www.patlite.com/
PATLITE (U.S.A.) Corporation	■ www.patlite.com/
PATLITE Europe GmbH ※Germany	■ www.patlite.eu/
PATLITE (SINGAPORE) PTE LTD	■ www.patlite-ap.com/
PATLITE (CHINA) Corporation	■ www.patlite.cn/
PATLITE KOREA CO., LTD.	■ www.patlite.co.kr/
PATLITE TAIWAN CO., LTD.	■ www.patlite.tw/
PATLITE (THAILAND) CO., LTD.	■ www.patlite.co.th/
PATLITE MEXICO S.A. de C.V.	■ www.patlite.com.mx/

Wall-mount Bracket

Instruction Manual

[MODEL : NH-WST2]

Thank you very much for purchasing our PATLITE products.

Read this instruction manual carefully prior to use.

Keep this instruction manual in a safe place. Read this manual carefully when maintenance, inspection, repair or other work is required. If there are any questions concerning this product, refer to the contact information at the end of this document and contact your nearest PATLITE Sales Representative.

Product Overview

NH-WST2 is a Wall-mount Bracket for mounting PATLITE products NH-FV series and LA6-5DSNWB-POE.

*In this document, NH-WST2 is referred to as "Bracket", NH-FV series as "NH-FV", LA6-5DSNWB-POE as "LA6-POE", and NH-FV and LA6-POE together as "Product".

Safety Precautions

Following the guidelines on this manual are important in preventing injury or damage to users and property.

■ Below are a list of key words that describe the severity of potential consequences when instructions are not followed properly.

WARNING This symbol indicates, "Failure to follow the instructions may lead to death or serious injury."

CAUTION This symbol indicates, "Failure to follow the instructions may lead to injury or property damage."

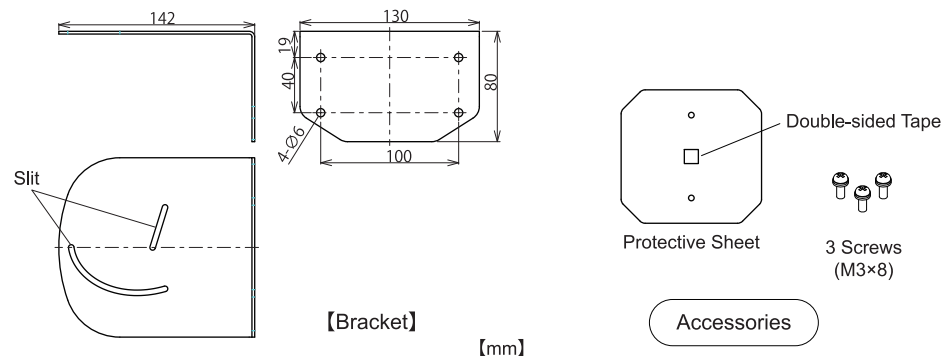
1. Safety Precautions that must be observed

- **CAUTION** Bracket should be installed in a location where it is free from vibration.
- Request for the installation and wiring be performed by a professional contractor if construction work is involved. Failure to do so may result in injury or damage to the bracket or product.
- Screws should be installed with the recommended torque. Failure to do so may result in injury from dropping the product or damage to the bracket.

The warranty does not cover malfunctions caused by handling in violation of warnings and precautions, disassembly, modification, or natural disasters.

Do not use the product in ways other than those described in this manual.

2. Names and Dimensions



3. Mounting Method

Follow the instructions for each product to mounting method.
Check the product instruction manual for details on mounting method.

⚠ WARNING

- Turn off the power before Product installation. Failure to follow this instruction could result in electric shock.

⚠ CAUTION

- The clamping surface should be level and sufficient enough to tolerate shock, vibrations and the weight of the Product. Failure to do so may result in injury from dropping the products or damage to the bracket.
- When attaching the bracket to the product, use the supplied screws (M3 x 8) and attach with the recommended torque. Failure to do so may result in injury from dropping the products or damage to the bracket.

3.1. Mounting NH-FV

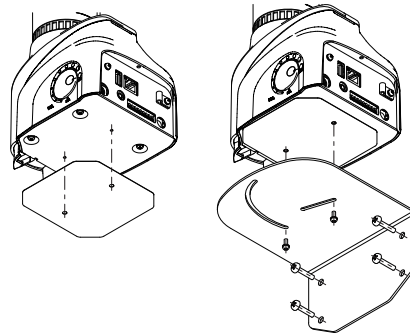
- ① Remove the double-sided tape from the protective sheet, align the holes in the protective sheet with the holes on the bottom of the NH-FV, and paste.

- ② Mount the bracket to the wall using screws.
*Supply the mounting screws to mount on the surface of the wall.

- ③ Align the NH-FV with the correct mounting method, and attach the two mounting screws through the slits in the bracket to NH-FV.

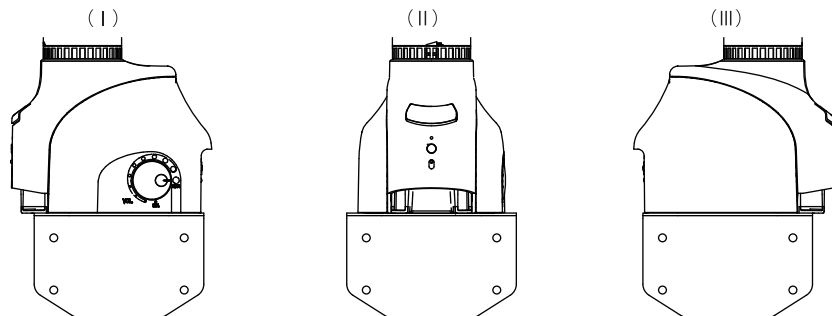
Remomended Torque
0.6 N·m (Standard)

*Refer to <For mounting direction> for the mounting direction of NH-FV.



<For mounting direction>

• There are three ways to attach the NH-FV on the bracket.



- When mounting (II), attach it according to the mounting method after the wiring.
- When adding or modifying NH-FV wiring or accessing USB or volume after mounting of (II) and (III), refer to <How to access wiring and controls>.

⚠ CAUTION

- When rotating NH-FV, be careful not to put out of the wire.

<How to access wiring and controls> *If there is a wall on the back.

	(II) Mounting direction (II)	(III) Mounting direction (III)
① Loosen the screws (2 locations) attached to the bracket. *There is no need to remove the screws.		
② Hold the fuselage part of NH-FV, and turn the NH-FV in the direction of the arrow in the figure.		
③ Perform the necessary operations such as adjusting the volume and accessing the USB.		
④ Hold the fuselage part of NH-FV, and turn the NH-FV in the direction of the arrow in the figure. *Turn it all the way to the end without stopping halfway.		
⑤ After returning to the original position, tighten the screws loosened in step ①. (Recommended tightening torque 0.6N·m)		