

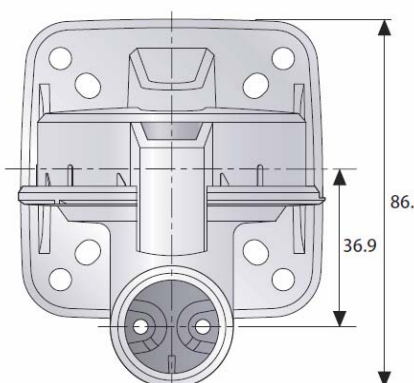
SPECIFICATIONS

1.General Specifications

Model	SZQ-001W
Applicable Models	List in the website http://www.patlite.com/
Mounting Location	Indoor Only
Protection Rating	IP65(Product Mounting)
Mass (Tolerance ±10%)	0.09kg(Accessory Remove)
Outer Dimensions	Refer to the 2.Outer Dimensions
Remarks	There are no contents of controlled substances exceeding the threshold for the RoHS

2.Outer Dimensions

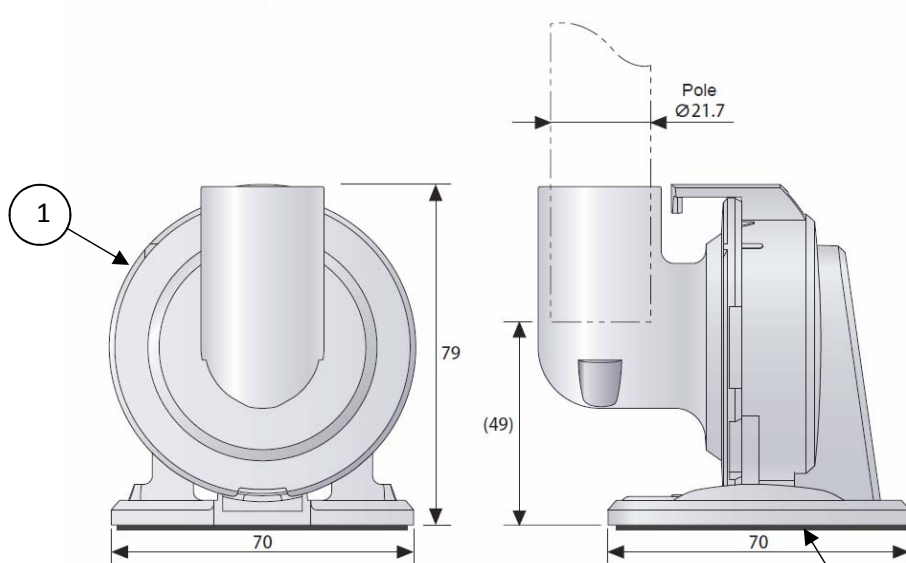
SZQ-001W



(Unit:mm)

No.	Name	Material	UL Flammability
1	Tilt Bracket	PC	V-2
2	Waterproof Packing	CR	-

Accessory
Pole Waterproof-ring 1pcs.
Binding Head Tapping Screw(M3×20) 2pcs.

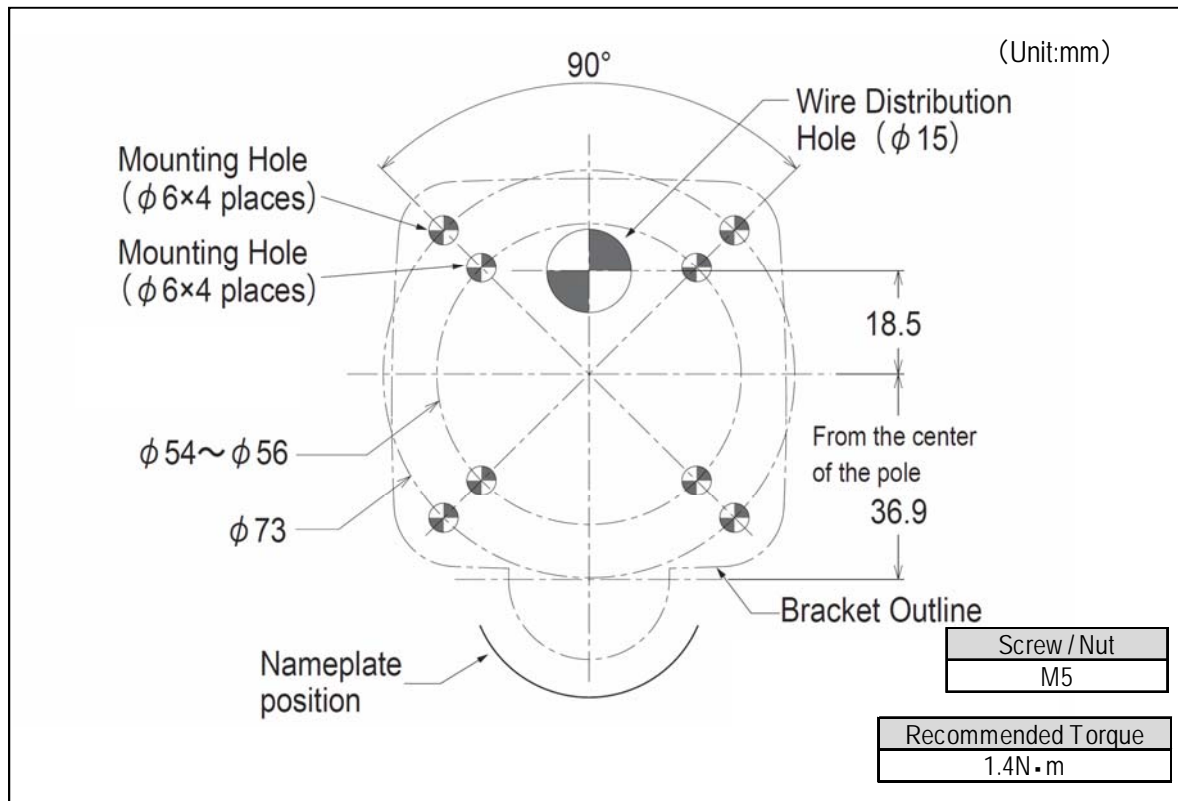


Color : Off-white

SZQ-001-W18B-1_2

PATLITE Corporation

3. Mounting Dimensional Drawing



4. Fixed Position

