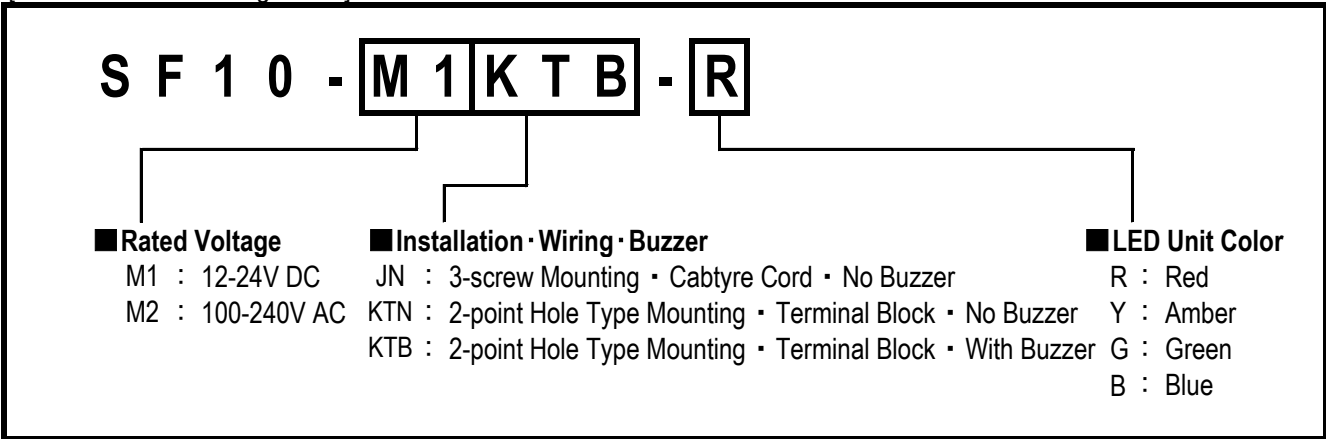


# SPECIFICATIONS

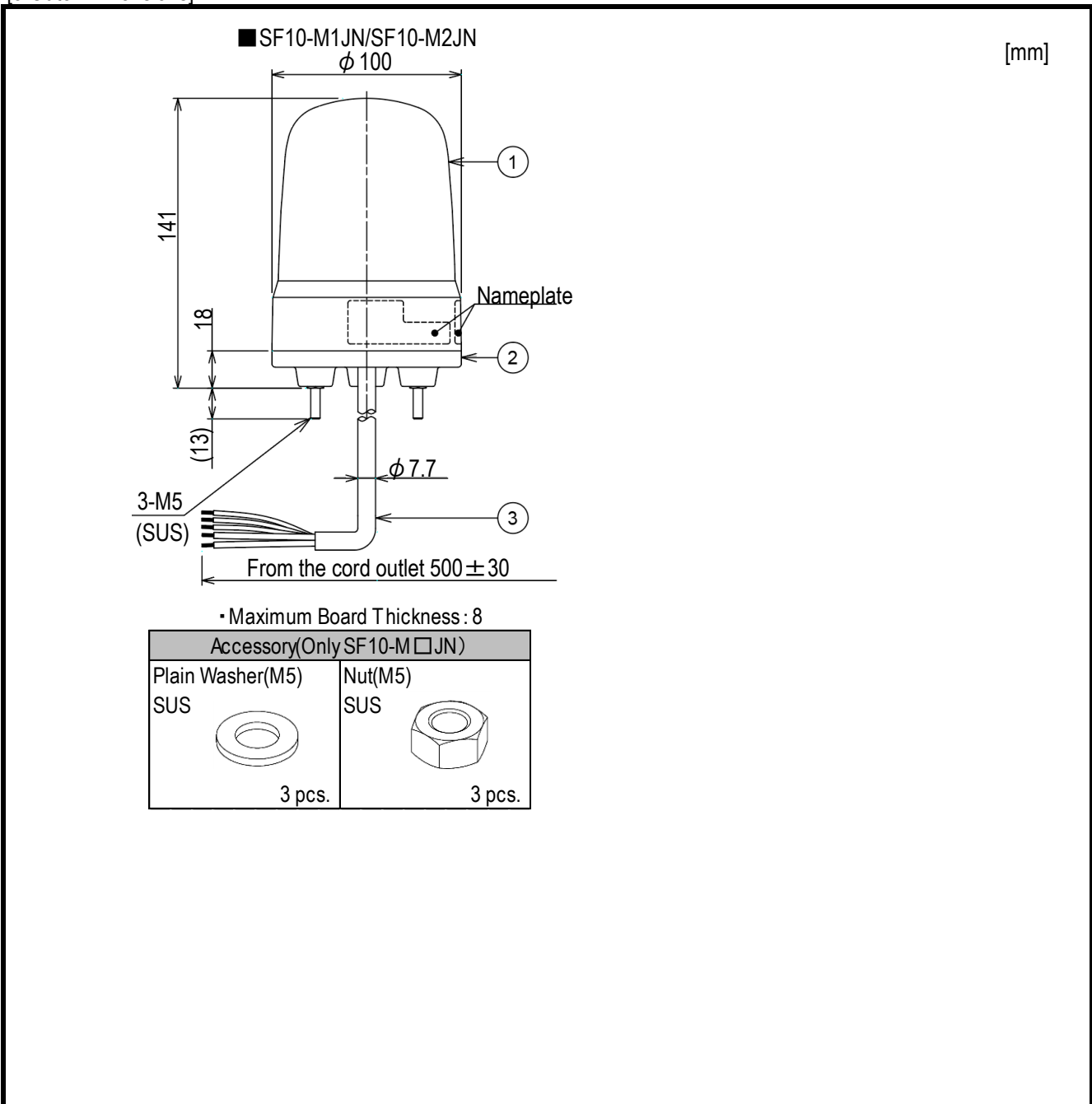
## [1.General Specifications]

| Product Name                  |      | Multi-function Beacons   |   |   |                  |                  |
|-------------------------------|------|--|---|---|------------------|------------------|
| Model                         |      | SF10-M1□□□-□   |   | SF10-M2□□□-□  |                  |                  |
| Rated Voltage                 |      | 12-24V DC  |   | 100-240V AC (50/60Hz)   |                  |                  |
| Operating Voltage Range       |      | 10-30V DC  |   | 90-250V AC  |                  |                  |
| Rated Current Consumption     | Max. | No Buzzer  | 12V DC<br>0.62A   | 24V DC<br>0.32A   | 100V AC<br>0.19A | 240V AC<br>0.08A |
|                               |      | With Buzzer  | 0.64A   | 0.34A   | 0.20A            |                  |
| Rated Power Consumption       | Max. | No Buzzer  | 7.4W  | 7.7W  | 8.5W             |                  |
|                               |      | With Buzzer  | 7.7W  | 8.2W  | 8.8W             |                  |
| Operating Ambient Temperature |      | -20°C to +50°C   |   |   |                  |                  |
| Operating Ambient Humidity    |      | Less than 90 % (No condensation)   |   |   |                  |                  |
| Storage Ambient Temperature   |      | -30°C to +60°C   |   |   |                  |                  |
| Storage Ambient Humidity      |      | Less than 90 % (No condensation)   |   |   |                  |                  |
| Mounting Location             |      | Indoor/Outdoor   |   |   |                  |                  |
| Mounting Direction            |      | Indoor : Upright, Inverted & Sideways<br>Outdoor : Upright   |   |   |                  |                  |
| Protection Rating             |      | SF10-M□JN  | IP23  |   |                  |                  |
|                               |      | SF10-M□KT□   | IP65(when used with SZW-103 Rubber Gasket attachment)<br>IP66/NEMA TYPE 4X,13 |   |                  |                  |
| Environmental Condition       |      | Upright  |   |   |                  |                  |
| Insulation Resistance         |      | More than 1MΩ at 500V DC between live part and non-current carrying metallic part  |   | More than 3MΩ at 500V DC between live part and non-current carrying metallic part                               |                  |                  |
| Withstand Voltage             |      | 500V AC applied for 1min between live part and non-current carrying metallic part without breaking insulation  |   | 4,000V AC applied for 1min between live part and non-current carrying metallic part without breaking insulation |                  |                  |
| Mass (Typ.)                   |      | SF10-M1JN  | 0.40kg  | SF10-M2JN   | 0.43kg           |                  |
|                               |      | SF10-M1KTN   | 0.39kg  | SF10-M2KTN  | 0.42kg           |                  |
|                               |      | SF10-M1KTB   | 0.40kg  | SF10-M2KTB  | 0.43kg           |                  |
| Sound Pressure Level (Typ.)   |      | 88dB   |   |   |                  |                  |
| Environmental Condition       |      | Measured at 1m from the front of the Buzzer Opening  |   |   |                  |                  |
| Rotation Flashing Rate(Typ.)  |      | 180 rpm[High Speed], 120 rpm[Middle Speed], 60 rpm[Low Speed]  |   |   |                  |                  |
| Flashing Rate(Typ.)           |      | Single-flash(60 flashes per minute), Double-flash(90 flashes per minute)   |   |   |                  |                  |
|                               |      | Triple-flash(120 flashes per minute), Pulse pattern(20 flashes per minute)   |   |   |                  |                  |
| Conformity Standards          |      | UL   | UL508, CSA-C22.2 No.14 (UL File No.E215660)                                   |   |                  |                  |
|                               |      | EMC Directive  | EN61000-6-4   | EN61000-6-4, EN61000-6-2  |                  |                  |
|                               |      |  | EN61000-6-2   | EN61000-3-2, EN61000-3-3  |                  |                  |
|                               |      | KC   | KN61000-6-4, KN61000-6-2  |   |                  |                  |
|                               |      | FCC  | FCC Part15 SubpartB ClassA, ICES-003 ClassA                                   |   |                  |                  |
|                               |      | RoHS Directive   | EN IEC 63000  |   |                  |                  |
| Low Voltage Directive         |      | IEC/EN60947-5-1,EN62471  |   |   |                  |                  |
|                               |      | UL and Low Voltage Directive have been evaluated for use in indoor industrial control equipment.   |   |   |                  |                  |
| Remarks                       |      | Due to the characteristics of the LED elements, there may be a slight variation in color tone and brightness between products.<br>Conforms to the CE Requirements<br>Conforms to the UKCA Requirements |   |   |                  |                  |

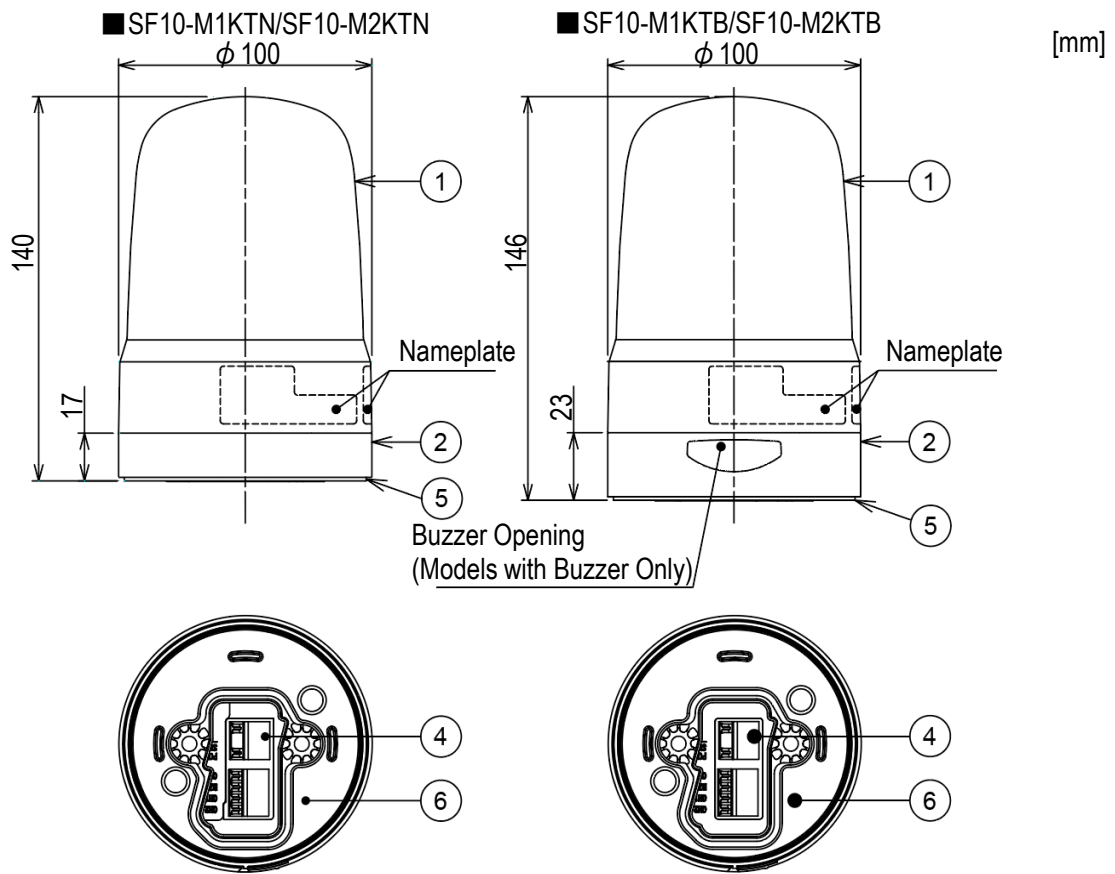
[2. Model Number Configuration]



[3. Outer Dimensions]



[3.Outer Dimensions]



| Screw Hole Thickness<br>of Mounting Bracket | Nominal<br>Diameter |
|---|---------------------|
| 5.7   | M5                  |

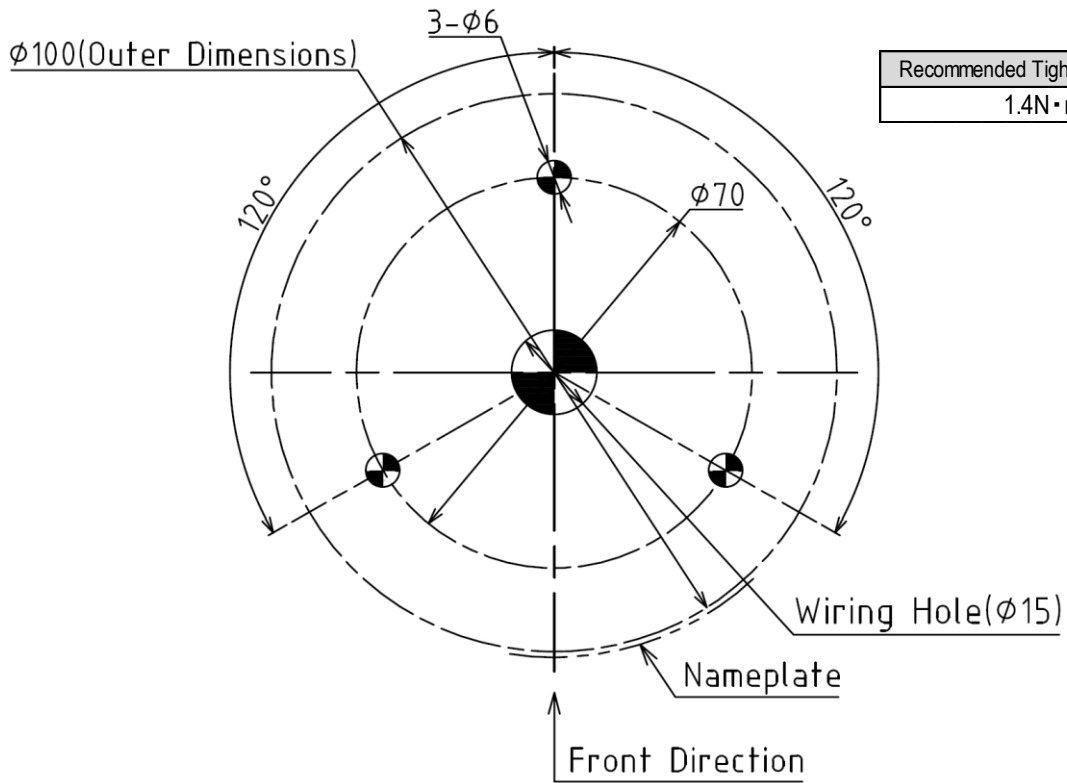
| Number | Name             | Material · Specification   |
|--------|------------------|--|
| 1      | Globe            | PC   |
| 2      | Case             | PC   |
| 3      | Cable Cord       | UL2464, PVC, M1JN : AWG22×5, M2JN : AWG18×2+AWG24×3  |
| 4      | Terminal Block   | LCP GF,<br>Applicable Wire Size Solid Wire : 0.13-1.5mm <sup>2</sup> ,<br>Stranded Wire : AWG28-14 |
| 5      | Mounting Bracket | PC   |
| 6      | Waterproof Sheet | Silicone   |

|               |      |      |
|---------------|------|------|
| Drawing No.   | Rev. | Page |
| SF10-M1JN-W18 | H    | 4/5  |

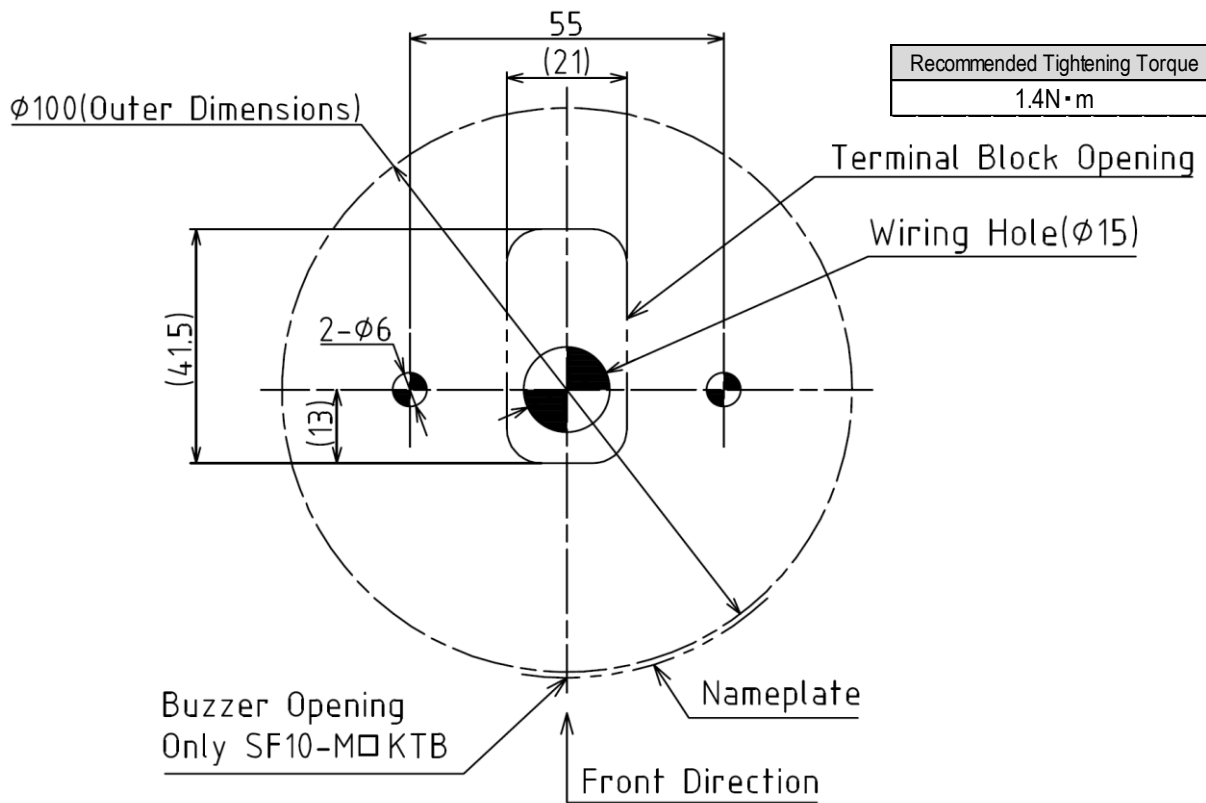
[4.Mounting Dimensional Drawing]

■ SF10-M1JN/SF10-M2JN

[mm]

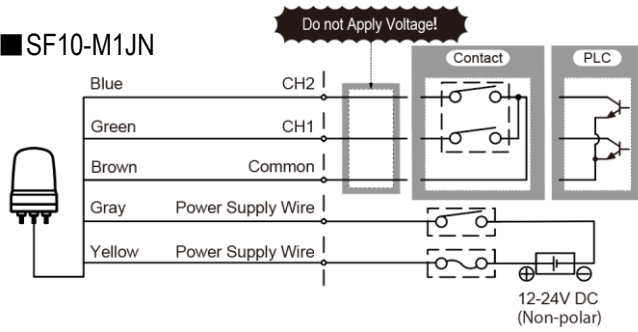


■ SF10-M1KT□/SF10-M2KT□

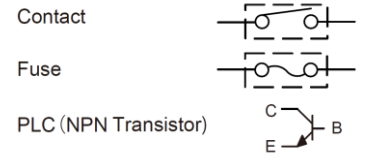


[5.Wiring Example]

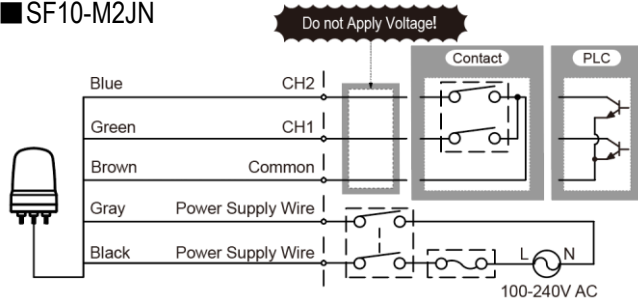
■ SF10-M1JN



Symbol



■ SF10-M2JN



【External contact capacity of power supply line】

|                       | M1         | M2         |
|-----------------------|------------|------------|
| Current Capacity (Is) | 3A or more | 1A or more |

【External contact capacity of signal line and buzzer line】※1

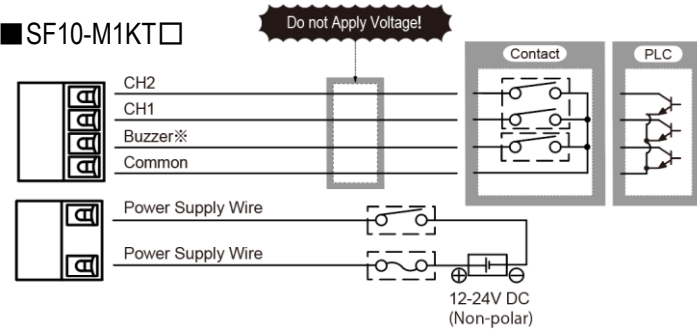
|                        | M1            | M2            |
|------------------------|---------------|---------------|
| Current Capacity (Is)  | 10mA or more  | 10mA or more  |
| Withstand Voltage (Vs) | 20V or more   | 20V or more   |
| Leakage Current (IL)   | 0.1mA or less | 0.1mA or less |

※1 When using NPN transistor open collector.

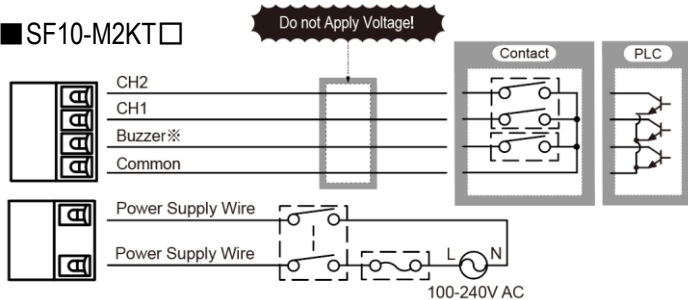
【Fuse】

|             |         |
|-------------|---------|
| Fuse Rating | 250V 1A |
|-------------|---------|

■ SF10-M1KT□



■ SF10-M2KT□



※For No Buzzer Models, do not require wiring.

■ Flash Pattern List

| Rotary switch | Wiring | CH1               | CH2 | CH1               | CH2 | CH1               | CH2 | CH1               | CH2 |
|---------------|--------|-------------------|-----|-------------------|-----|-------------------|-----|-------------------|-----|
|               |        | OFF               | OFF | ON                | OFF | OFF               | ON  | ON                | ON  |
| 0             |        | Off               |     | Rotating(120 rpm) |     | Triple-flash      |     | Rotating(120 rpm) |     |
| 1             |        | Off               |     | Rotating(180 rpm) |     | Triple-flash      |     | Rotating(180 rpm) |     |
| 2             |        | Off               |     | Triple-flash      |     | Pulse pattern     |     | Triple-flash      |     |
| 3             |        | Off               |     | Rotating(60 rpm)  |     | Rotating(120 rpm) |     | Rotating(180 rpm) |     |
| 4             |        | Off               |     | Single-flash      |     | Double-flash      |     | Triple-flash      |     |
| 5             |        | Triple-flash      |     | Triple-flash      |     | Triple-flash      |     | Triple-flash      |     |
| 6             |        | Pulse pattern     |     | Pulse pattern     |     | Pulse pattern     |     | Pulse pattern     |     |
| 7             |        | Rotating(60 rpm)  |     | Rotating(60 rpm)  |     | Rotating(60 rpm)  |     | Rotating(60 rpm)  |     |
| 8             |        | Rotating(120 rpm) |     | Rotating(120 rpm) |     | Rotating(120 rpm) |     | Rotating(120 rpm) |     |
| 9             |        | Rotating(180 rpm) |     | Rotating(180 rpm) |     | Rotating(180 rpm) |     | Rotating(180 rpm) |     |

= Dimmed

= Half-side emitted

The rotary switch is set to 0 when shipped from the factory.