

# Mounting Bracket

## TYPE SZW-003W Instruction Manual

### Notice to Customer

Thank you very much for purchasing our PATLITE products.

- If installing this product requires construction, have the work done by a professional contractor.
- Prior to installation, read this manual thoroughly before using this product to ensure correct use.
- If there are any questions concerning this product, refer to the contact information at the end of this document and contact your nearest PATLITE Sales Representative.

Compatible Models	Wireless Control Unit	WIO Series
	Signal Tower	LR6-□02WJ□□ * Do not use with LR6-□M2□□.
	USB-controlled Signal Tower	LR6-□USB□
	IO-Link Signal Tower	LR6-□ILWM□□
	Wireless Data Acquisition System	WDB Series

Note: • Compatible models as of 03/2023. For the latest compatible models, please see our website.  
• Before use, read the instruction manual of the compatible model.

### To the Contractor

- Prior to installation, read this manual thoroughly to ensure it is installed correctly.
- Return this manual to the customer.

## 1 Before You Begin

### About Safety Symbols

- To prevent injuries to the user and other personnel, as well as to prevent damage to assets, note the following.
- The following symbols classify warnings and cautions and describe the level of harm and damage that will occur when the corresponding instructions are ignored.

**WARNING** This symbol indicates, "Failure to follow the instructions may lead to death or serious injury."

**CAUTION** This symbol indicates, "Failure to follow the instructions may lead to injury or property damage."

- The following symbols classify and describe the content of associated messages.

**Prohibited** This symbol identifies "Prohibited" operations that should never be carried out.

**Mandatory** This symbol identifies "Mandatory" instructions that should always be carried out.

### Safety Precautions

**WARNING** Do not use or install the product in locations where liquids such as water is present, oil will splatter, or locations that are humid or dusty. Failure to follow these instructions could result in fire, electric shock or product failure. Do not use this product other than for its intended purpose and do not run operations or maintenance other than those described in this manual. Request the installation and wiring be performed by a professional contractor if construction work is involved. Failure to follow this instruction could result in fire, electric shock or falls. Turn off the power before performing any electric wiring or product installation. Failure to follow this instruction could result in electric shock.

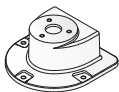
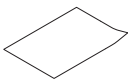
**CAUTION** Do not use or store this product in the following locations. Failure to follow this instruction could result in product malfunction or failure. • Environments with poor breathability and ventilation • Near equipment that generate strong electrical or strong magnetic fields • Places exposed to direct sunlight • Locations subject to shock and vibration • Near heating appliances • Environments where there is dust, iron powder, and so on • Places near fire or environments with high temperatures and humidity • Locations where the product may experience a drop • Locations exposed to salty sea air Do not use chemicals near this product. This product could melt or become deformed if any chemicals adhere to it. Adhere to the following to maintain safe use of this product: • Perform daily inspections. • As a precaution, use this product together with other equipment to handle potential problems. The following requirements are necessary for the mounting location. • Minimal vibration • Sufficient strength • Flat location • Install this product in the upright position. Adhere to the following when handling the parts of this product: • Do not disassemble any part other than that which can be detached from the product. • Do not modify the product. • To clean this product, wipe with a soft cloth dampened with water. (Do not wipe with cleaners containing thinners, benzene, gasoline, or oil.)

## 2 Model Number Configuration

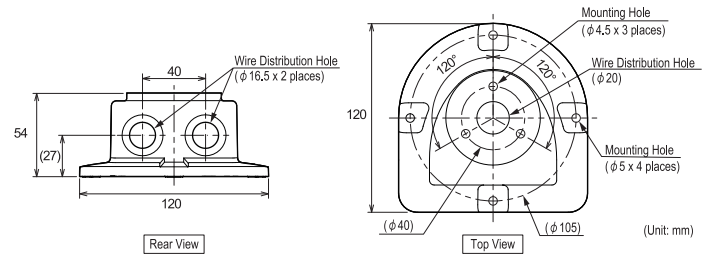
Model	SZW-003	Body Color	W
-------	---------	------------	---

W Off-white

## 3 Package Contents

Mounting Bracket: 1	Installation Manual (this document) x 1	Accessories	
		Grommet x 2	Adhesive Sheet 4 Sheets (1 Set)

## 4 Names and Dimensions



## 5 Mounting Method

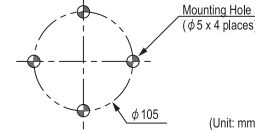
**WARNING** Do not use or install the product in locations where liquids such as water is present, oil will splatter, or locations that are humid or dusty. Failure to follow these instructions could result in fire, electric shock or product failure.

**CAUTION** Do not install this product with its adhesive sheet on material that includes a large amount of plasticizer. The following requirements are necessary for the mounting location. • Minimal vibration • Sufficient strength • Flat location • Install this product in the upright position. After installation, check again if there is a risk of the product falling. The adhesive sheet used for this product may be difficult to remove depending on the environment in which it is used. Check the installation location for this product beforehand. Failure to follow this instruction could result in damage to the coating. Before attaching the adhesive sheet to the product, wipe away any dust, water, oil and other unwanted material from the main unit and installation location. When removing the adhesive sheet, firmly hold the outer edge of the product near the bottom and peel away slowly.

1 Determine how to secure the mounting bracket.

### When securing with screws

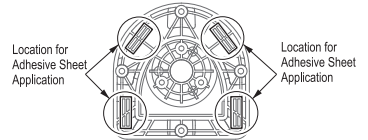
As shown in the illustration below, drill mounting holes at the installation location.



\* Screws (M4 or nominal diameter 4) to secure the bracket are not included. Please provide your own. (bracket thickness: 7 mm)

### When securing with adhesive sheet

Peel away the yellow non-stick paper from the adhesive sheet and stick it to the location for adhesive sheet application.



2 Attach the grommet to Wire Distribution Hole (Back) of the mounting bracket.

- \* Either Wire Distribution Hole (Back) can be used. Use both Wire Distribution Hole (Back), if necessary.
- \* A cable gland can be used instead of a grommet (accessory) to prevent dust from entering the inside of the mounted product through the wiring holes. (Select a cable gland with a mounting hole diameter of φ 16.5, a mounting plate thickness of 1.5 mm, and an outer diameter of φ 26 mm or less for the mounting portion.)

3 Pull wires out of grommets and attach the product to the mounting bracket.

4 Secure the product to the mounting bracket with the hexagon nuts (M4).

Recommended Torque	0.6 N·m
--------------------	---------

- \* For the installation method of each product mount, refer to the corresponding product's instruction manual.
- \* Hexagon nuts (M4) are not included with this product. Use the hexagon nuts that are attached to each product.

5 Secure the mounting bracket to the installation location.

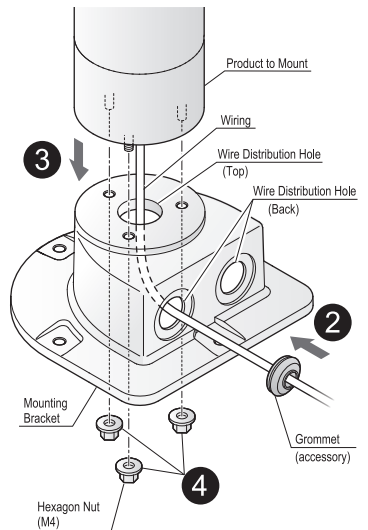
### When securing with screws

Secure the mounting bracket with screws (M4 or nominal diameter 4).

\* When using a flat washer for mounting, use one with a diameter of φ 10 mm or less.

### When securing with adhesive sheet

Peel off the transparent protective film and secure the mounting bracket.



## PATLITE Corporation (G2J)

PATLITE Corporation ※Head office ■ www.patlite.com/  
 PATLITE (U.S.A.) Corporation ■ www.patlite.com/  
 PATLITE Europe GmbH ※Germany ■ www.patlite.eu/  
 PATLITE (SINGAPORE) PTE LTD ■ www.patlite-ap.com/  
 PATLITE (CHINA) Corporation ■ www.patlite.cn/  
 PATLITE KOREA CO., LTD. ■ www.patlite.co.kr/  
 PATLITE TAIWAN CO., LTD. ■ www.patlite.tw/  
 PATLITE (THAILAND) CO., LTD. ■ www.patlite.co.th/  
 PATLITE MEXICO S.A. de C.V. ■ www.patlite.com.mx/