

図番	改訂	ページ
SZP-005-W18	A	1 / 1

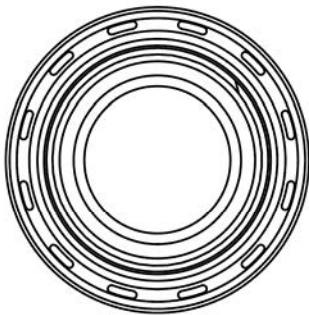
SPECIFICATIONS

[1.General Specifications]

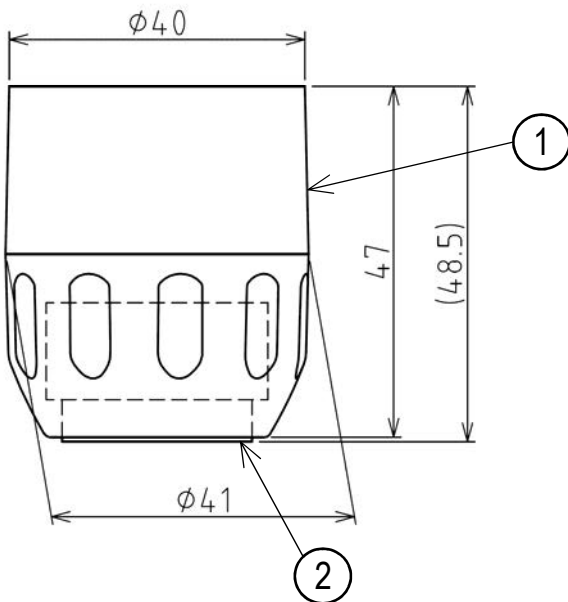
Product Name	Upper Bracket
Model	SZP-005W
Mounting Location	Indoor Only
Mounting Direction	Upright
Mass (Tolerance $\pm 10\%$)	0.03kg(Includes one Sealing Rubber)
Applicable Model	22POLE-300SAT, POLE - [100/300/800][A/S]21 (Other $\phi 22$ mm Pole, $\phi 25$ mm Pole can be attached.)
Remarks	There are no contents of controlled substances exceeding the threshold for the RoHS Directive.

[2.Outer Dimensions]

[mm]



No.	Name	Material	Color
1	Upper Bracket	PC	Off-White
2	Sealing Rubber (For $\phi 22$ mm Pole)	Silicone Rubber	Black
3	Sealing Rubber (For $\phi 25$ mm Pole)	Silicone Rubber	Gray



Accessory

