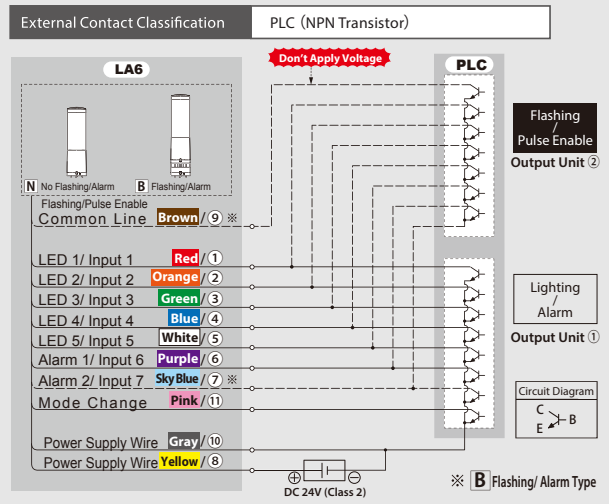
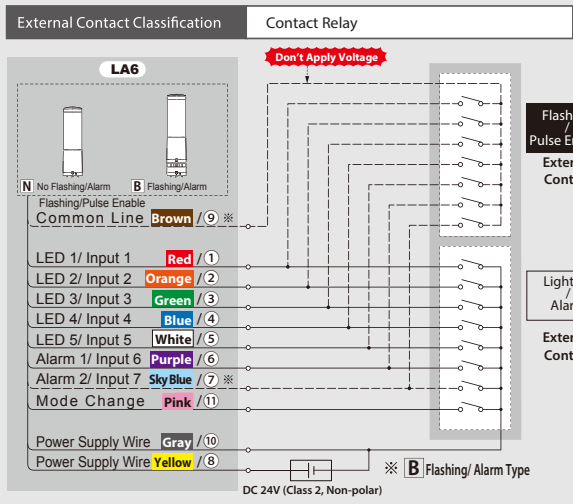


Wiring Diagram

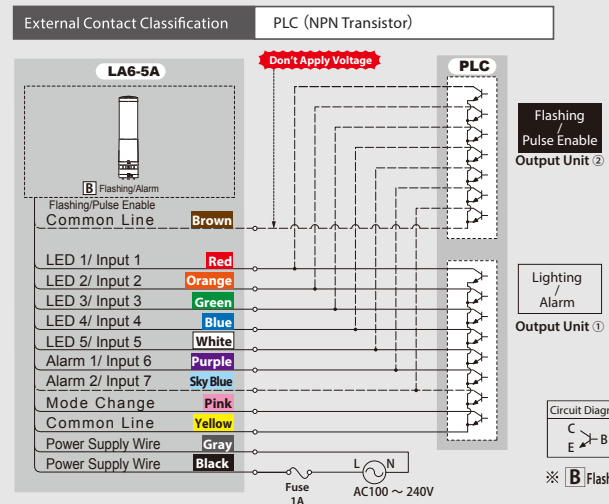
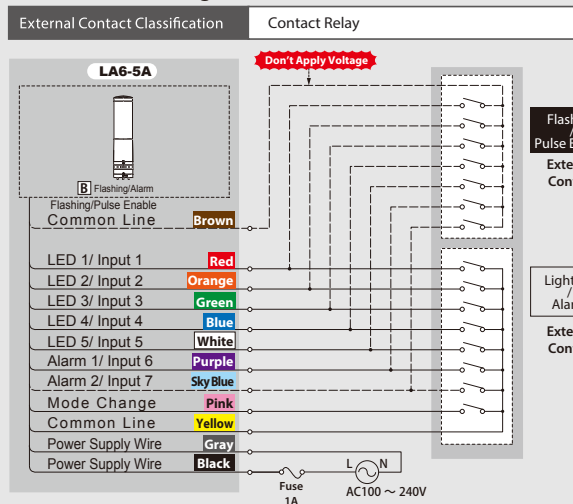
Red is the lead wire color. (Cable Specification) * The lead wire color does not indicate the LED Luminescence color.

* Refer to the comprehensive operation manual or our webpage for detailed schematics on the PNP transistor wiring.

DC 24V Wiring



AC 100 - 240V Wiring



* Refer to the comprehensive operation manual for detailed schematics.