

CLN-EX

CE II 3GD Ex nA IIC T4 Gc, Ex tc IIIC T135°C Dc IP65 94/9/EC (ATEX) CENELEC: EN 60079-0, EN 60079-15, EN 60079-31

Explosion-Safe LED Work Light



Daylight

IP66G/67G/69K

Explosion-Safe

FEATURES

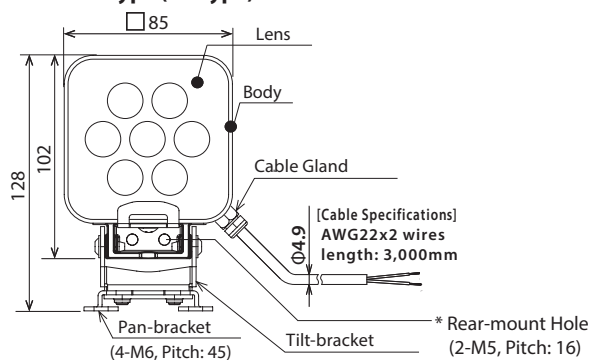
- 820 lx brightness
- 60,000 hrs., or about 7 years of long service life (*1)
- IP66G, IP67G, IP69K protection (*2)
- Low current draw of 174mA
- DC 24V (Polarized)
- Wide operating temperature range (-40 to +60°C)
- IEC62471 Compliance (Photobiological Safety Standard)
- Daylight Color Temperature (6,500K), suitable for very detailed work
- Made of aluminum alloy and tempered glass, is resistant to water, oil and coolants
- Includes a flexible stainless-steel angle bracket to adapt to various scenarios (*3)
- Compact, light-weight, durable design (Thickness:22.2mm x Width: 85mm x Height: 128mm)

*1 : The typical value of LED brightness is 70% of the original specification, but may vary depending on actual applications.
 *2 : IP66G and IP67G are Japanese Industrial Standards (JIS C0920-2003), and IP69K is the German DIN 40050 PART9 Standard.
 *3 : CLN-24-CD-PT-EX Work Light can only be installed where risk of mechanical danger is limited to 2 Joules of impact energy.



Dimensions (Unit: mm)

• Pan/Tilt Type (PT Type)



How to Order

CLN-24-CD-PT-EX

Movable Type

PT : Pan/Tilt

Specifications

Model	CLN-24-CD-PT-EX
Color Code (Color)	CD (Daylight)
Color Temperature (typ.)	6500K
Illumination (typ.) (Centered at DC 24V)	820 lx
Total Luminous Flux (typ.)	550 lm
Rated Voltage	DC 24V (Polarized)
Operating Voltage Range	DC 24V ±10%
Rated Consumption Current/Power Dissipation	174mA ±10% / 4.2W
Operating Ambient Temperature	-40°C to +60°C (90% RH, no condensation)
Main Unit Material	Body: Aluminum Alloy Lens: Tempered Glass
Protection Rating	IP66G/67G (JIS C 0920)/69K (DIN 40050 part 9) (excluding cable ends)
Mounting Location/Direction	Indoor / Any Direction
Insulation Resistance	DC 500V 5MΩ or more between power input and metallic part
Withstand Voltage	500VAC for 1 minute between power input and chassis
Vibration Resistance	30Hz total amplitude 0.3mm ^{p-p} (Back and forth, up and down, left and right for 2 hrs each) total amplitude 0.3mm ^{p-p} (10-57Hz), Acceleration 19.6m/s ²
Mass (Tolerance ±10%)	430g