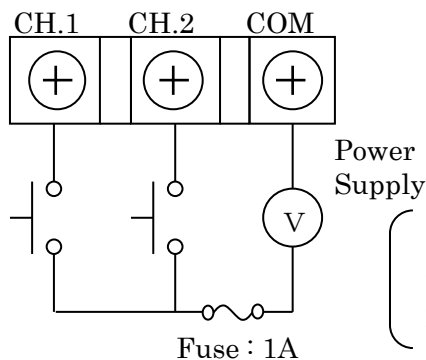


# SPECIFICATIONS

[General Specifications]

Product Name	Electric alarm		
Model	BM-202H	BM-210H	BM-220H
Rated Voltage	24V AC/DC	100V AC	220V AC
Operating Voltage Range	Rated Voltage $\pm 10\%$		
Rated Power Consumption	0.4W	2.5W	3.5W
Operating Ambient Temperature	-10°C to +60°C		
Operating Ambient Humidity	Less than 85% (No condensation)		
Mounting Location	INDOOR USE ONLY		
Mounting Direction	UPRIGHT ONLY		
Protection Rating	IP30		
Vibration Resistance	19.6 m/s <sup>2</sup>		
Insulation Resistance	DC 500V more than 1M $\Omega$ (Between the power wire and the mounting ring for 1 minute not insulation)		
Sound Pressure Level	85 dB (at 1 m)	90 dB/m (at 1 m)	
Sound	CH1 : Rapid(Hi-Lo)	CH2 : Stutter (Rapid intermittene horn)	
CH Priority	1ch > 2ch		
Transduser	Piezo electric speaker		
Withstand Voltage	Between the power wire and the mounting ring.		
	AC 500V 1 minute	AC 1500V 1 minute	
Continuous Operating Time	500 h		
Mounting Board Tickness	7 mm or less		
Mounting Hole Dimension	$\phi 30.5$ mm		
Mass(Tolerance $\pm 10\%$ )	100 g		
Conformity Standards	EMC Directive (EN 55011, EN 61000-6-2) RoHS Directive (EN IEC 63000)		
Remarks	Conforms to the CE requirements		

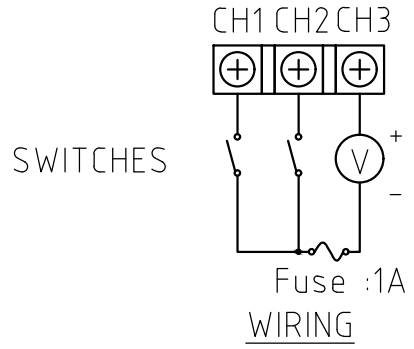
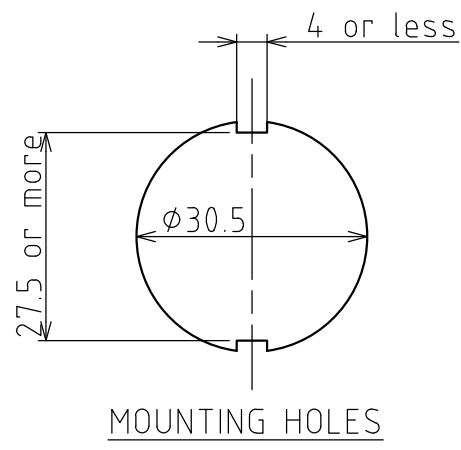
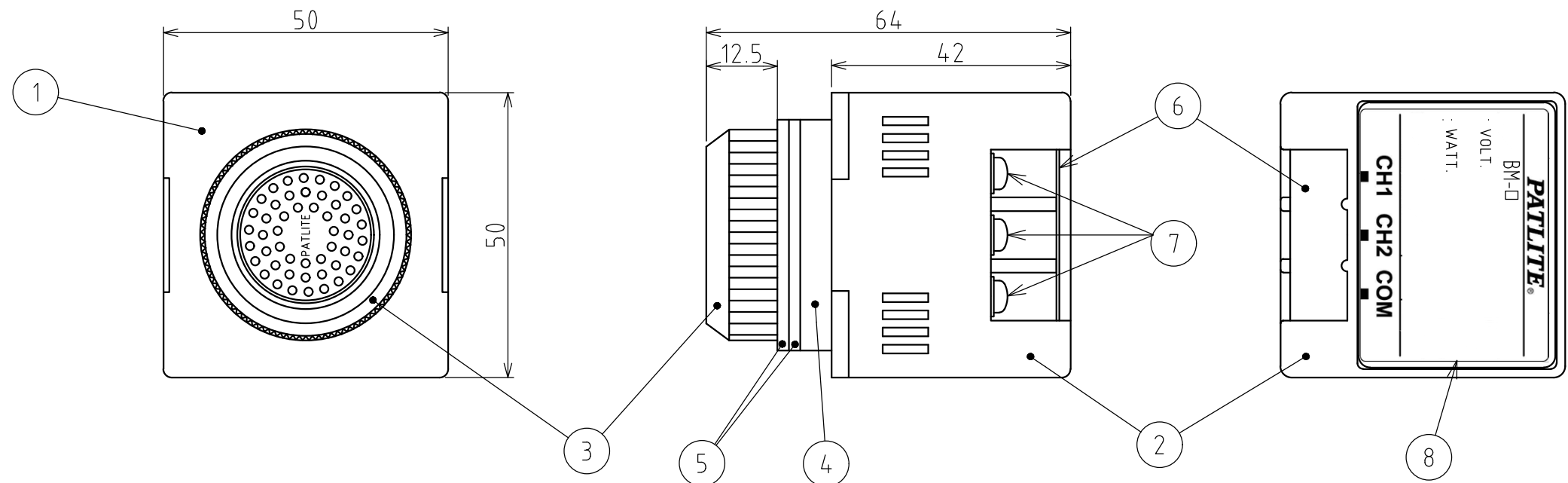
Wiring



※ BM202H is AC/DC type.  
Therefore, power supply's polarity isn't mentioned.

指定公差 General tolerance	角度公差 ±[°]			寸法公差 ±[mm]					図番 Drawing No. BM-202H-W18			
	短辺長さ Length of short side	~	~100	6	30	120	300	1000				
	精 f	1	0.5	0.3	0.1	中 m	0.1	0.3		0.5	0.7	1
	粗 v	3	1.5	1	0.5	粗 c	0.3	0.5		1	1.2	2

改訂 Rev.	年月日 Date	改訂履歴 Revisions



番号 No.	部品名 Part Name	数量 Qty.	記事 Remarks
8	NAME PLATE	1	
7	TERMINAL SCREW	3	MBNi
6	TERMINAL COVER	1	PC , Black
5	RUBBER PACKING B	2	NBR t2.0
4	RUBBER PACKING A	1	NBR t3.5
3	RING	1	ABS
2	BODY B	1	ABS , BLACK
1	BODY A	1	ABS , BLACK

機種 Model	BM-202H,210H,220H	特注 No. S.P.No.	-	図名 Name	Outer Dimensions Drawing
品目コード Part No.	-	尺度 Scale	-	三角法 3rd Angle P.	単位 Unit mmm
				株式会社	パトライト PATLITE Corporation