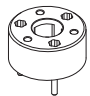
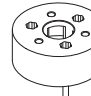
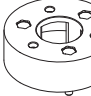
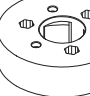
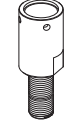


Notice to Customer Thank you very much for purchasing our product. • Request the installation and wiring be performed by a professional contractor if construction work is involved. • Prior to installation, read this manual thoroughly before using this product to ensure correct use. • Visit our homepage (<http://www.patlite.com/>) and download the "Complete Operation Manual : LR" to find more about the operating method and features. • If there are any questions concerning this product, refer to the contact information at the end of this document and contact your nearest PATLITE Sales Representative.

Compatible Model Signal Tower LR Series (Refer to "1. Lineup" indicated below)

- Note**
1. This product is compatible with models manufactured from November, 2017. To verify the latest compatible options and model, please visit our homepage.
 2. Be sure to read the applicable instruction manual for the compatible model in addition to this model.

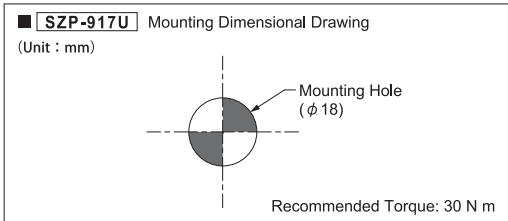
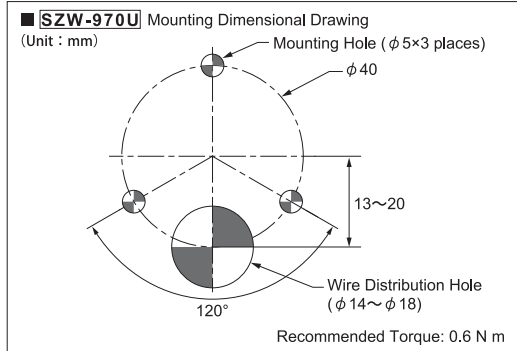
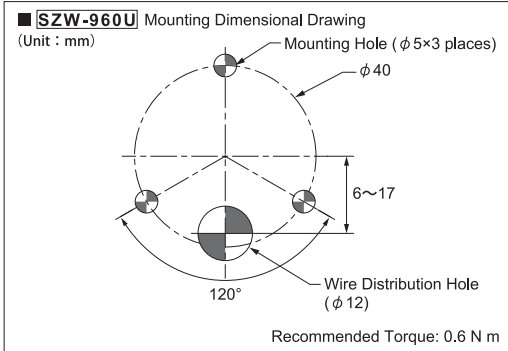
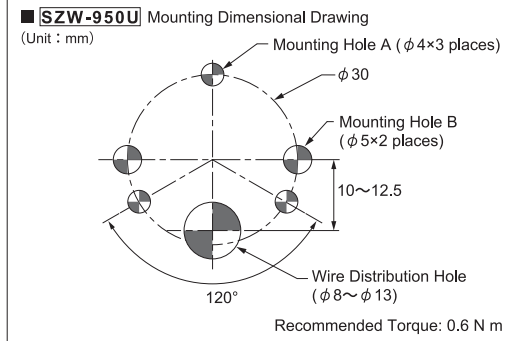
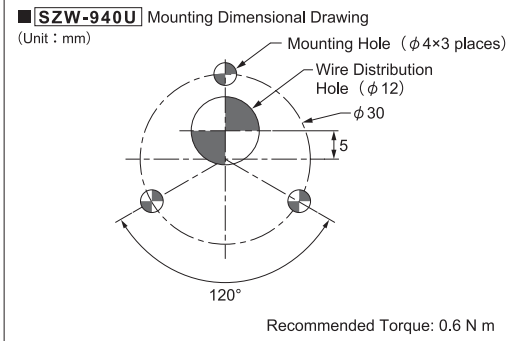
1 Lineup

Product Name	Compatible Direct Mount Bracket	Compatible Direct Mount Bracket	Compatible Direct Mount Bracket	Compatible Direct Mount Bracket	Pole-compatible Adaptor
Model	SZW-940U	SZW-950U	SZW-960U	SZW-970U	SZP-917U
Purpose	Wire hole position conversion	Wire hole position conversion	Wire hole position conversion	Wire hole position conversion	Pole diameter conversion
Compatible Model	LR4-WJ	LR5-WJ	LR6-WJ	LR7-WJ	LR-LJ
					
Accessories :	Hexagon Nut with Flange (3 pcs.)	Hexagon Nut with Flange (3 pcs.)	Hexagon Nut with Flange (3 pcs.)	Hexagon Nut with Flange (3 pcs.)	Accessories : Hexagon Nut (1pc.) Flat Washer (1pcs.) Hexagon Socket Set Screw (2pcs.)

2 How to Install

- Caution**
- The following requirements are necessary for proper installation:
 - Install the signal tower where **excessive vibration** is not present. -Install the signal tower on a **sturdy surface**.
 - Install the signal tower on a **level surface**.
 - Only install the signal tower in an **upright position**.
 - When the installation location is unavoidably irregular and waterproof performance is required, use a sealant between the product and the installation surface.
 - If the product requires an IP65 rating, apply sealant to the screws, nuts and lead wire exit when installing the compatible bracket onto the installation surface.

- 1 **Installing the Signal Tower.**
※Refer to the "Complete Operation Manual : LR"
- 2 **Make holes in the installation surface for the mounting and wire distribution holes for the corresponding product.**
(Check the Model and refer to the suitable mounting dimension figure.)
- 3 **Run the wiring through the wire distribution hole.**
- 4 **Secure the product with the accessory nuts.**



(Note) • Dimensions and specifications may change without notice due to continual product improvement.
• PATLITE and the PATLITE logo is a trademark, or registered trademark of the PATLITE Corporation of Japan and each country.