

1

2

3

4

5

6

7

8

A

B

C

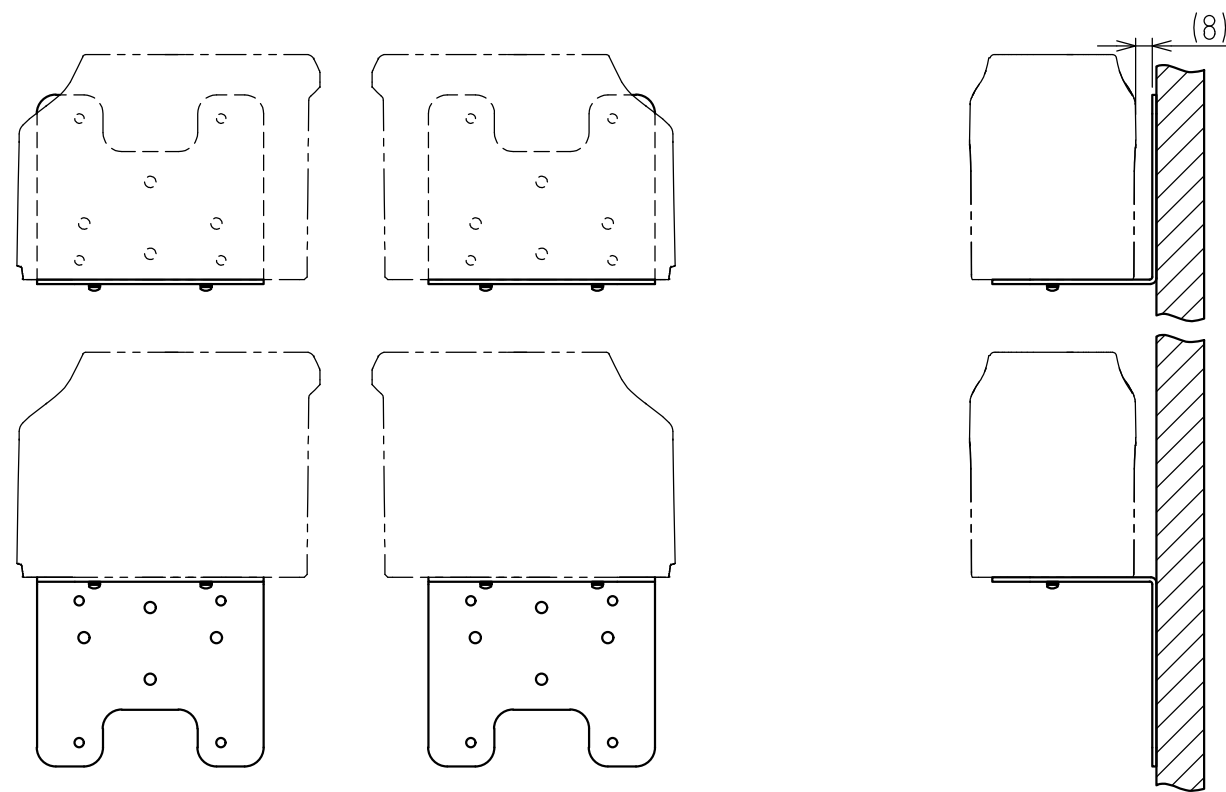
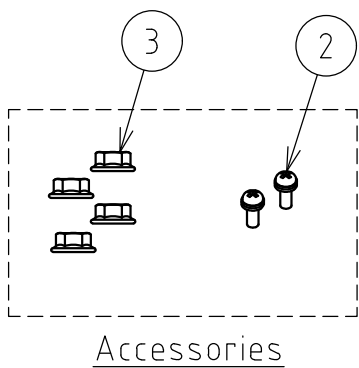
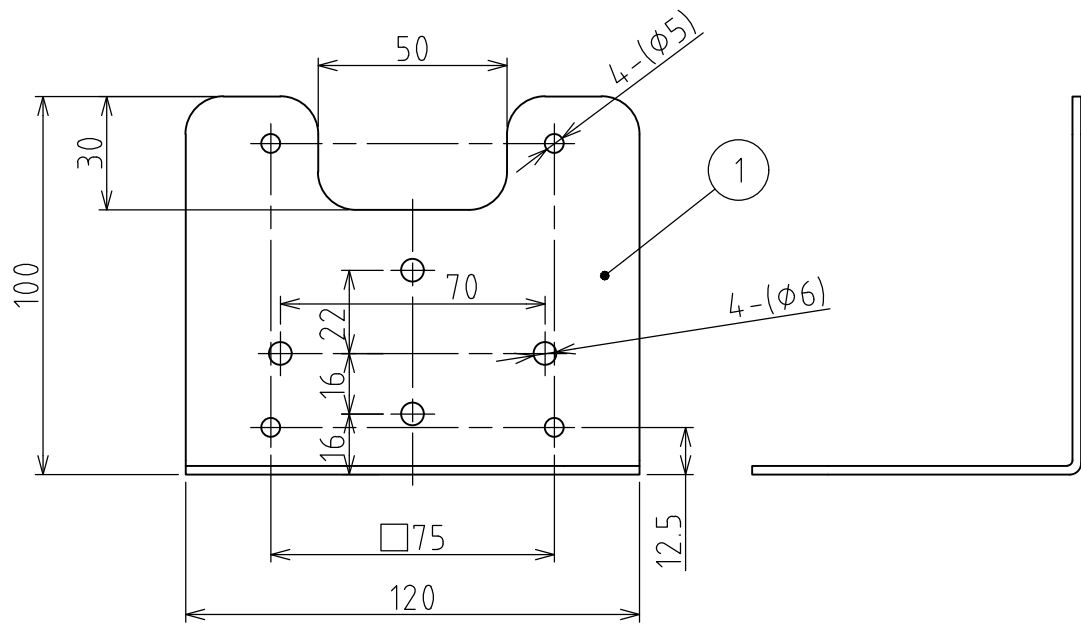
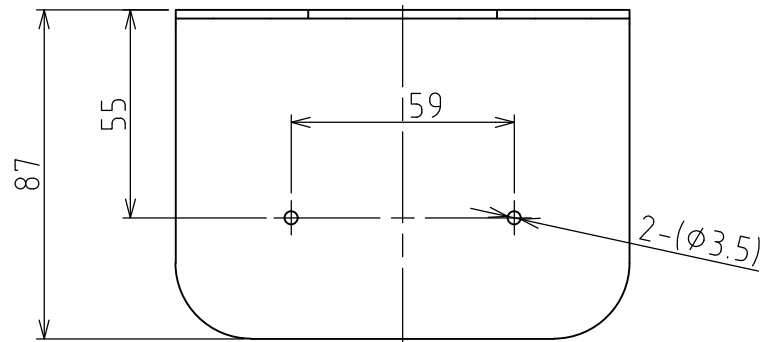
D

E

F

指定 外 公差 General Tolerance	角度公差 ±[°] Angular tolerance ±[°]		寸法公差 ±[mm] Dimensional tolerance ±[mm]					図番 Drawing No. NH-001-W18		ページ Page 1 / 1	
	短辺 長さ Length of short side	~	~100	6	30	120	300	1000	改訂 Rev. 年月日 Date	改訂履歴 Revisions	
	精 f	1	0.5	0.3	0.1	中 m	0.1	0.3			
	粗 v	3	1.5	1	0.5	粗 c	0.3	0.5	1	1.2	2

Specification	
Product Name	Wall Mounting Bracket
Model	NH-001
Compatible Models	Network Signal Tower : NHB Series
	Network Signal Tower with Voice Annunciator : NHV Series
Mounting location	Indoor
Mass (±10%)	360g
Remarks	・ There are no contents of controlled substances exceeding the threshold for the RoHS Directive.



Mounting Pattern (Front View)

Mounting Pattern (Side View)

3	Hexagon Nuts with Flange	4	M4
2	Product Mounting Screws	2	M3×8
1	Wall Mounting Bracket	1	Steel Plate, t=2.3, Off-white
番号 No.	部品名 Part Name	数量 Qty.	記事 Remarks
機種 Model	NH-001		特注No. S.P.No. -
図名 Name	Specifications		
品目コード Part No.	-	尺度 Scale -	三角法 3rd Angle P.
		単位 Unit mm	株式会社 PATLITE Corporation