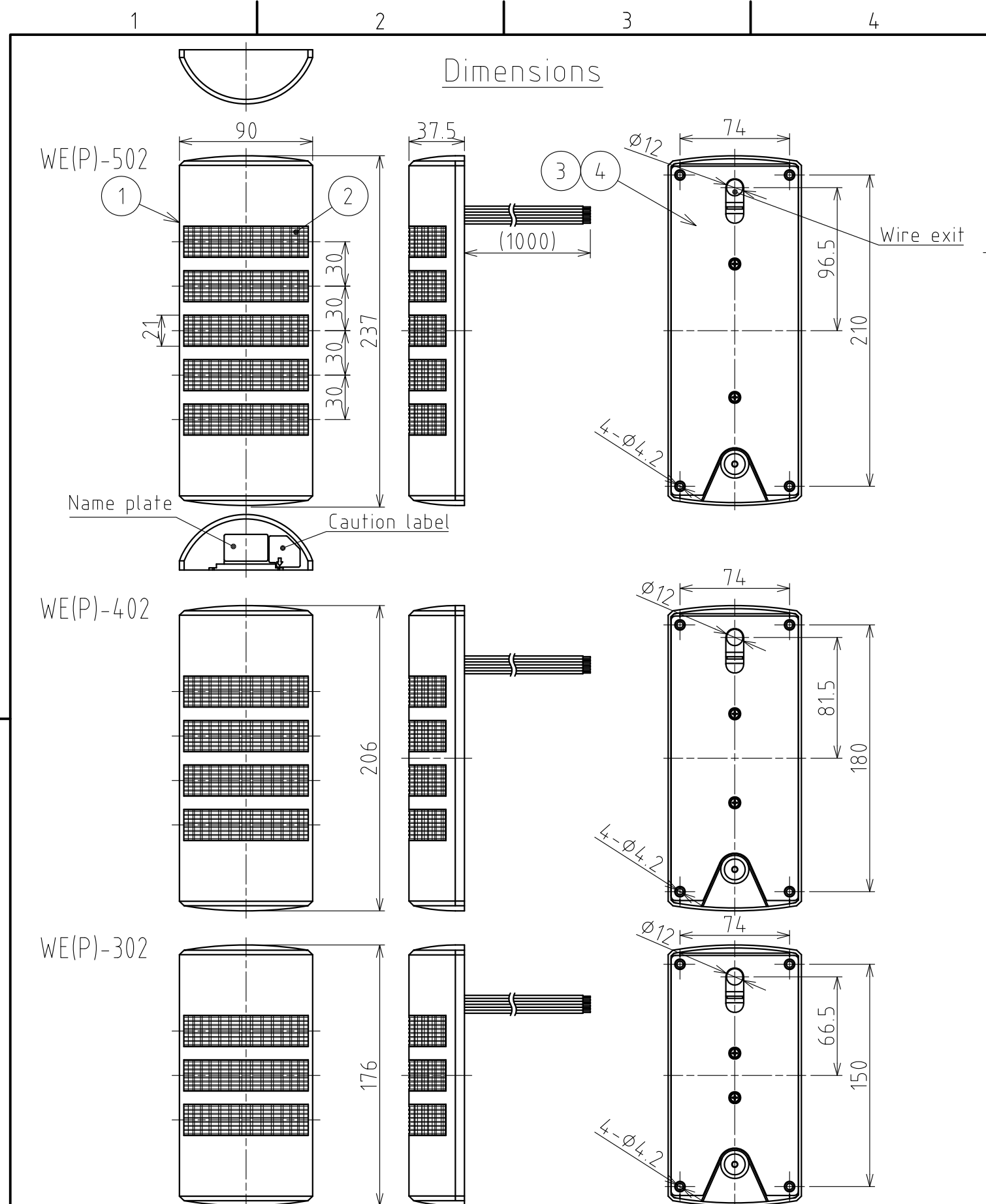


SPECIFICATIONS

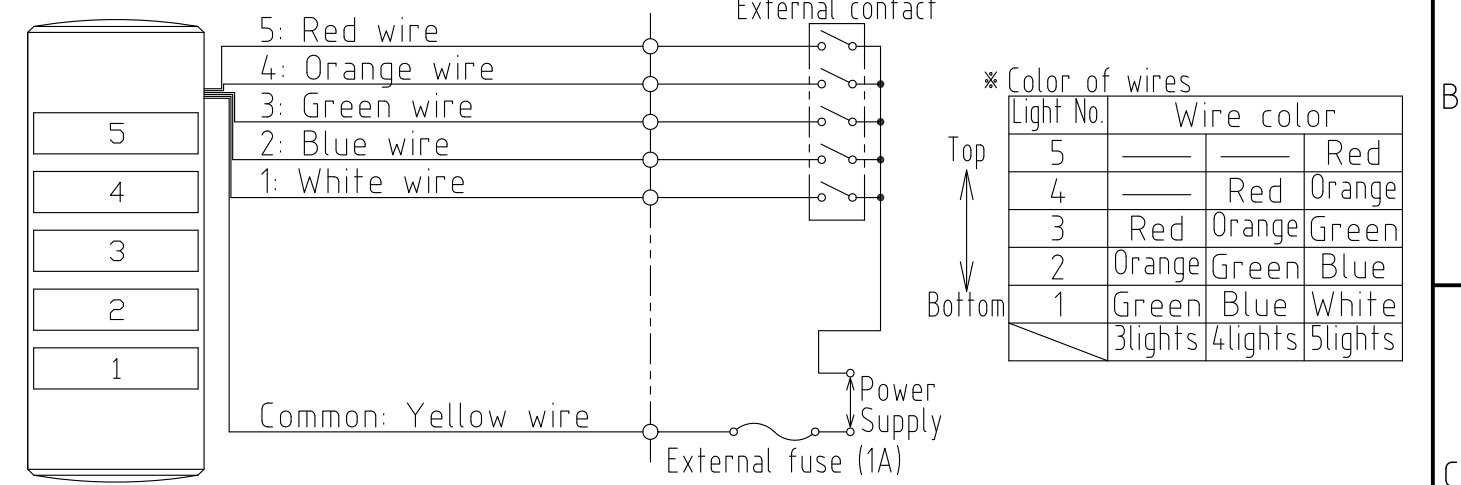
Model	5 lights	WE-502			WEP-502	
	4 lights	WE-402			WEP-402	
	3 lights	WE-302			WEP-302	
Surface of cover		Chromium plating			Not plating (Light gray)	
Rated voltage		24V AC/DC (50/60Hz)				
Operating voltage		Rated voltage \pm 10%				
Current consumption	Per light					
		Red	Amber	Green	Blue	White
	Typ.	24 mA			17 mA	
	Max.	28 mA	27 mA	23 mA		
Operating temperature range (Relative humidity)		- 30°C ~ + 60°C (Less than 90%)				
Mounting place		Indoor only				
Mounting direction		Upright, Updown, Sideways				
Protection rating		IP65				
Vibration proof		19.6 m/s ² (30Hz)				
Insulation resistance		To be measured by an insulation measuring device of 500VDC between the terminals and the chassis. More than 1M Ω				
Withstand voltage		500VAC being applied between the terminals and the chassis for 1 minute. Not braking insulation				
Luminous intensity		Red	Amber	Green	Blue	White
		600 mcd or more	800 mcd or more	2000 mcd or more	600 mcd or more	1800 mcd or more
Mass	3 lights		4 lights		5 lights	
	0.30 kg		0.33 kg		0.35 kg	
No. WE-502-A18A-1/2						
<ul style="list-style-type: none"> ● This product confirms to the CE requirements and CE Marking is indicated. ● Recognized as UL standard. (Standard No.UL508, File No. E215660) ● This product complies with the RoHS Directive(DIRECTIVE 2002/95/EC) 						
PATLITE Corporation				App.by		Drn.by
				H.Enjoji 5.Mar '08		Y.Nagayama 5.Mar '08



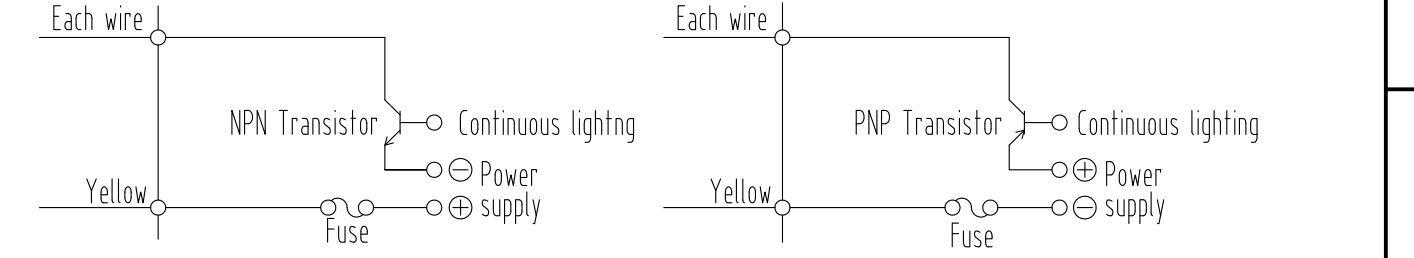
指定 公差 General tolerance	角度公差 ±[°] Angular tolerance ±[°]		寸法公差 ±[mm] Dimensional tolerance ±[mm]					符号 Sym.	年月日 Date	訂正履歴 Revisions		記印 Sgn.	検印 Chk.	承認 App.
	短辺 長さ Length of short side	~10	~50	~100	~100	~6	~30	~120	~300	~1000	△-			
	精 f	1	0.5	0.3	0.1	中 m	0.1	0.3	0.5	0.7	1	△-		
	粗 v	3	1.5	1	0.5	粗 c	0.3	0.5	1	1.2	2	△-		

Wiring

Wire type: UL1007/AWG22



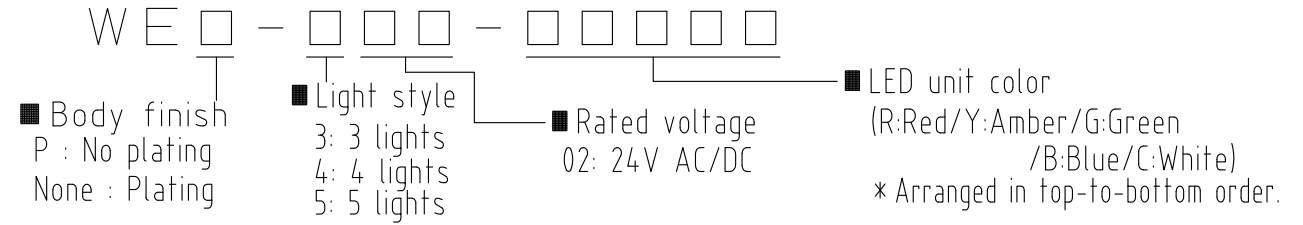
Transistor drive (24V DC)



Note

1. Insulate ends of unused wires by tape or any other suitable thing.
2. Use "Class 2 circuit" for power supply source.
3. Concerning fuse and fuse-holder, use the products authorized by UL Inc.
4. Use the fuse conforming to the rated current of the machine on which the product is installed. (Example: Class J type fuse)

Model No. configuration



4	Waterproof sheet	-	1	CR (Black)
3	Body	-	1	ABS (Light gray)
2	Lens	-	1	PC (Clear)
1	Cover	-	1	ABS (Light gray) Chromium plating(WE only)

番号 No.	部品名 Part Name	品目コード Part No.	数量 Qty.	材料 & 寸法 & 処理 Material & Size & Finish	記事 Remarks
設計 Dgn.by	製図 Drn.by	検図 Chk.by	承認 App.by	図名 Name	機種名 Model
A.Ikeda	Y.Nagayama	-	H.Enjoji	Specifications	WE(P)-□02
13.Dec.'99	5.Mar.'08		5.Mar.'08	Dimensions	品目コード Part No.
三角法 3rd Angle P.	単位 Unit mm	尺度 Scale		株式会社 パトライト PATLITE Corporation	図番 Drawing No. WE-502-A18A-2/2