

LED Work Light  
LED-Arbeitsleuchte  
Éclairage LED de travail  
Lampada da lavoro LED  
Luz de trabajo LED

Installation Manual  
Installationsanleitung  
Manuel d'installation  
Manuale di installazione  
Manual de instalación

Installation Wiring  
Installation Verkabelung  
Installation Câblage  
Installazione Cablaggio  
Instalación Cableado

TYPE CWF

**Notice to Customer** Thank you very much for purchasing our Patlite products.

- This product requires installation, wiring, and other related work. Be sure to ask an expert technician to perform these procedures.
- This installation manual is intended for the technician who performs the installation and wiring of the product.
- A separate user's manual is provided for customers who operate the product after installation. Be sure to read the user's manual before operating the product.

**WARNING** Indicates an imminently dangerous condition: failure to follow the instructions may lead to death or serious injury.

- Request the installation and wiring to be accompanied by a professional contractor. If installation is done improperly, it may result in fire, electric shock, falling, or malfunction.

**CAUTION** Indicates a potentially dangerous condition: failure to follow the instructions may lead to slight injury or property damage.

- Use a soft cloth dampened with water to clean the product. (Do not use thinner, benzene, gasoline or oil.)

**Hinweis an den Kunden** Vielen Dank, dass Sie unser Patlite-Produkt erworben haben.

- Dieses Produkt erfordert Installations-, Verkabelungs- und andere Arbeiten. Bitten Sie stets einen erfahrenen Techniker, diese Arbeiten durchzuführen.
- Diese Installationsanleitung richtet sich an die Techniker, die die Installation und Verkabelung für dieses Produkt ausführen.
- Für die Kunden, die das Produkt nach der Installation verwenden, steht eine separate Bedienungsanleitung zur Verfügung. Lesen Sie stets die Bedienungsanleitung, bevor Sie das Produkt verwenden.

**AVVERTISSEMENT** Weist auf eine unmittelbar gefährliche Situation hin: Die Nichtbefolgung der Anweisungen kann zum Tod oder zu einer schweren Verletzung führen.

- Bitte Sie professionelles Fachpersonal um die Ausführung der Installation und Verkabelung. Wenn die Installation nicht ordnungsgemäß ausgeführt wird, kann dies zu einem Feuer, Stromschlag, zum Herunterfallen oder zu einer Fehlfunktion führen.

**VORSICHT** Weist auf eine potentiell gefährliche Situation hin: Die Nichtbefolgung der Anweisungen kann zu einer leichten Verletzung oder einem Sachschaden führen.

- Verwenden Sie ein weiches Tuch, das mit Wasser angefeuchtet, um ein Produkt zu reinigen. (Verwenden Sie keinen Verdünnern, Benzin, Benzin oder Öl.)

**Avis au client** Nous vous remercions d'avoir acheté notre produit Patlite.

- Ce produit nécessite une installation, un câblage et d'autres travaux connexes. Assurez-vous de faire appel à un technicien expérimenté pour effectuer ces procédures.
- Ce manuel d'installation est destiné au technicien qui effectue l'installation et le câblage de l'appareil.
- Un mode d'emploi séparé est fourni aux clients qui utilisent le produit après l'installation. Veuillez à lire le manuel d'utilisation avant d'utiliser le produit.

**AVERTISSEMENT** Indique une situation dangereuse imminente : le non-respect de ces consignes peut entraîner la mort ou des blessures graves.

- Demandez à ce que l'installation et le câblage soient effectués en présence d'un professionnel. Si l'installation est réalisée de façon incorrecte, il existe un risque d'incendie, de choc électrique, de chute ou de dysfonctionnement.

**ATTENTION** Indique une situation potentiellement dangereuse : le non-respect de ces consignes peut entraîner de légères blessures ou des dommages matériels.

- Utilisez un chiffon doux imbibé d'eau pour nettoyer le produit. (N'utilisez pas de diluant, d'essence, d'essence ou d'huile.)

**Avviso al cliente** Grazie per aver acquistato il nostro prodotto Patlite.

- Questo prodotto richiede l'installazione, il collegamento elettrico e altri lavori. Assicurarvi di chiedere a un esperto tecnico di eseguire questi lavori.
- Questo manuale di installazione deve essere utilizzato dal tecnico che esegue l'installazione e il cablaggio elettrico del prodotto.
- Un manuale dell'utente separato è fornito per i clienti che utilizzano il prodotto dopo l'installazione. Assicurarvi di leggere il manuale dell'utente prima di mettere in funzione il prodotto.

**AVVERTENZA** Indica un'imminente situazione di pericolo: il mancato rispetto delle istruzioni potrebbe causare la morte o lesioni gravi.

- Richiedete l'installazione e il cablaggio ad un professionista. Se l'installazione è eseguita in modo errato, può provocare un incendio, scosse elettriche, cadute o malfunzionamenti.

**ATTENZIONE** Indica una potenziale situazione di pericolo: il mancato rispetto delle istruzioni potrebbe causare lesioni leggere o danni materiali.

- Utilizzare un panno morbido inumidito con acqua per pulire il prodotto. (Non usare diluente, benzina, benzina o olio.)

**Aviso al cliente** Gracias por adquirir nuestro producto Patlite.

- Este producto requiere instalación, cableado y otros trabajos relacionados. Asegúrese de solicitar a un técnico experto la realización de estos procedimientos.
- Este manual de instalación ha sido elaborado para el técnico que lleva a cabo la instalación y el cableado del producto.
- Se proporciona por separado un manual del usuario para los clientes que usarán el producto después de la instalación. Asegúrese de leer el manual del usuario antes de utilizar el producto.

**ADVERTENCIA** Indica una condición de riesgo inminente: no observar estas instrucciones podría causar lesiones graves o incluso la muerte.

- Solicite que la instalación y el cableado sean realizados por un contratista profesional. Si la instalación se realiza de forma incorrecta, podría causar incendios, descargas eléctricas, caídas o un fallo de funcionamiento.

**ATENCIÓN** Indica una situación potencialmente peligrosa: no observar estas instrucciones podría causar lesiones leves o daños materiales.

- Utilice un paño suave humedecido con agua para limpiar el producto. (No use diluyente, bencina, gasolina o aceite.)

**To Installers or Contractors**

- Read this manual thoroughly before using this product to ensure correct use.
- If there are any questions concerning this product, refer to the contact information at the end of this manual and contact your nearest PATLITE Sales Representative.

**Für Installateure und Fachpersonal**

- Lesen Sie diese Anleitung sorgfältig, bevor Sie dieses Produkt verwenden, um die ordnungsgemäße Verwendung zu gewährleisten.
- Wenn Sie irgendwelche Fragen zu diesem Produkt haben, verwenden Sie die Kontaktinformationen am Ende dieser Anleitung und wenden Sie sich an Ihren nächstgelegenen PATLITE-Vertriebsmitarbeiter.

**Aux installateurs ou aux entrepreneurs**

- Lisez attentivement ce manuel avant d'utiliser ce produit pour garantir une utilisation correcte.
- Si vous avez des questions concernant ce produit, reportez-vous aux coordonnées figurant à la fin de ce mode d'emploi de l'appareil et contactez votre représentant de vente PATLITE le plus proche.

**Per gli installatori o gli appaltatori**

- Leggere attentamente il manuale prima di utilizzare questo prodotto per garantirne un uso corretto.
- Se vi sono domande riguardanti questo prodotto, fare riferimento alle informazioni di contatto alla fine di questo manuale e contattare il più vicino rappresentante di vendita PATLITE.

**Para instaladores o contratistas**

- Lea atentamente este manual antes de utilizar este producto para asegurar un uso correcto.
- Si tiene preguntas relacionadas con este producto, consulte la información de contacto que se encuentra al final de este manual y póngase en contacto con su representante de ventas PATLITE más cercano.

## 1 Safety Precautions

In order to prevent any damage to the user and other personnel or to assets, note the following:

◆ The following symbols indicate and explains the nature of the information to be observed.

- This symbol indicates "Prohibited", which should not be carried out by all means.
- This symbol indicates "Enforced", which should be observed and carried out by all means.

### Warning

- Do not disassemble or modify this product. Failure to comply may result in electric shock or fire.
- After installing this product, be careful not to use this product to climb onto a machine, or to get anything snagged onto this product while it is mounted on equipment, etc. Failure to comply may result in falling off the machinery or product damage may occur.
- Do not pour water, nor put it in water. This may cause fire, short circuit and/or electric shock.
- Be sure to disconnect the power when wiring, mounting, exchanging, or repairing the product. Failure to comply may result in damage of the internal circuitry and the danger of electric shock, due to short-circuiting.
- Request the installation and wiring to be accompanied by a professional contractor. Failure to comply may result in electric shock, fire, or falling from high places.
- When this product is used for security purposes, it should be inspected daily, and to be used in conjunction with other security products, in case a malfunction should occur.
- Verify the installation location is a firm location which can handle the weight of the product and has no adverse vibrations. If installed in a place where vibration is frequent and/or exceeds the specifications, damage to the product may occur.
- The designated screws should be used for installation. Any parts used that are not specified may result in product damage or personal injury.
- Make sure this product is properly installed and wired. Improper wiring and installation may result in fire, short circuiting and/or electric shock.

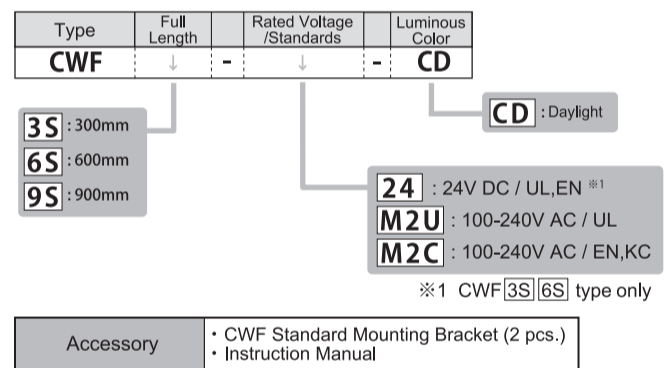
### Caution

- In order to avoid danger to the eyes, do not stare into the beam, do not view directly into the optical instrument, and don't turn the beam towards someone's eyes. The LED beam is hazardous to the eyes.
- Do not loosen any body screws. It will have an adverse effect on the protection rating.
- Verify that the specified operating voltage is not exceeded.
- For safety measures, be sure to connect an external fuse to protect from overcurrents or overvoltages from mis-wiring, etc. The product can be protected by short-circuiting due to mis-wiring and overcurrents or overvoltages which can damage it.
- Avoid installation in the following locations:
  - Near space heaters or places where high temperatures are present.
  - In locations where chemical or explosive gasses, etc., are present.

### Notice

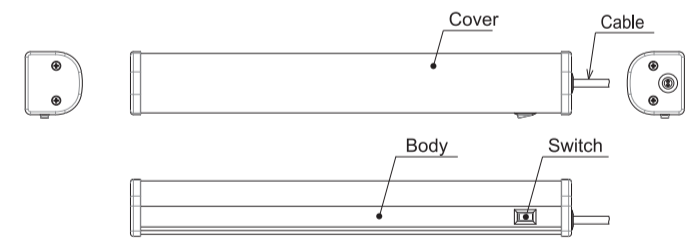
- To ensure proper safety while using the LED work light, observe the following:
  - Perform periodic pre-maintenance.
  - As a precaution against problems occurring, use this product together with other equipment.
  - Be sure to discharge any static electricity from the body before handling static sensitive parts of this product. (To prevent damage from static electricity, touch hands or other body parts to metals or an earth ground to discharge the body from static charge.)
  - Use a soft cloth moistened with water when the LED Unit or body must be cleaned up. (Do not use thinner, benzene, gasoline or oil.)
  - To ensure safety when this product is installed onto equipment, observe the following:
    - Do not remove parts beyond those designed to be removed from this product.
    - Do not modify or disassemble this product.

## 2 Model Number Configuration



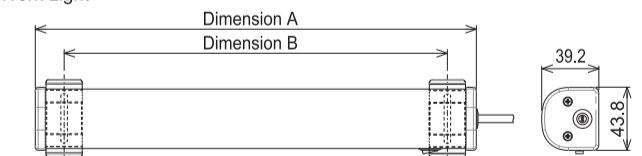
## 3 Part Names and Dimensions

### Part Names



### Dimensions (Unit : mm)

#### LED Work Light

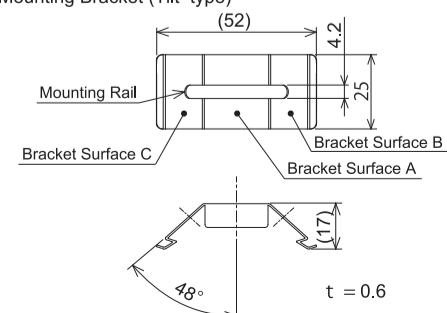


(Table 1. Dimensions)

Model	Dimension A	Dimension B
	Body Length	Bracket Pitch
CWF3S-□-CD	300	260
CWF6S-□-CD	600	560
CWF9S-□-CD	900	860

Cable Length : (3000)

#### □ CWF Standard Mounting Bracket (Tilt type)



## 4 How to Install

### Warning



[Prohibited]

- Do not modify or disassemble the product. Failure to comply may result in electric shock or fire.
- After installing this product, be careful not to use this product to climb onto a machine, or to get anything snagged onto this product while it is mounted on equipment, etc. Failure to comply may result in falling off the machinery or product damage may occur.



[Enforced]

- To prevent from electrocution, disconnect power prior to mounting or performing maintenance.
- Verify the installation location is a firm location which can handle the weight of the product and has no adverse vibrations. If installed in a place where vibration is frequent and/or exceeds the specifications, damage to the product may occur.
- The designated screws should be used for installation. Any parts used that are not specified may result in product damage or personal injury.

### Caution

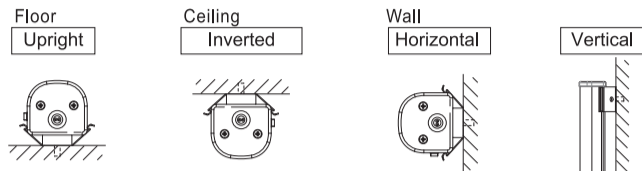


[Enforced]

- Ensure this product is securely mounted, to prevent from falling, etc.
- This product is for indoor use only. (Not for outdoor use)

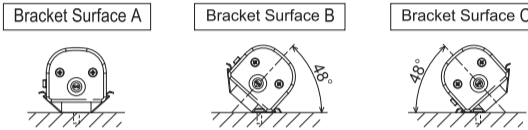
### Product Mounting Direction

The attachment direction common to all the models is shown.



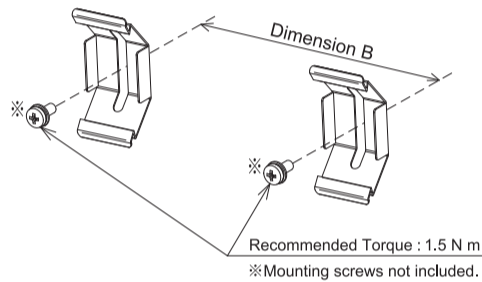
### Bracket Mounting Surface Selection

Angle adjustable: 3 patterns

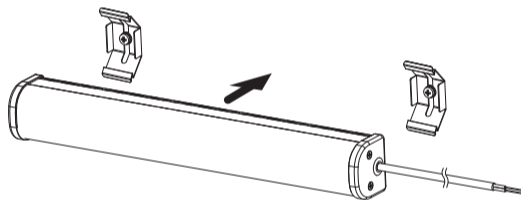


### Installation Location

- SUITABLE FOR DAMP LOCATIONS.
  - Select a damp location that is not exposed to water spray or mist.
- Attach the bracket to the mounting surface.
  - After tapping the mounting holes onto a flat and sturdy surface, use two M4 screws for mounting.
  - Attach an M4 screw in the desired "Mounting Rail" and tighten.



- Attach the product to the bracket.
  - After the bracket is mounted to a sturdy surface, snap the product into place.



## 5 Wiring

### Warning



[Enforced]

- Be sure to disconnect the power when wiring, mounting, exchanging, or repairing the product. Failure to comply may result in damage of the internal circuitry and the danger of electric shock due to short-circuiting.

### Caution



[Enforced]

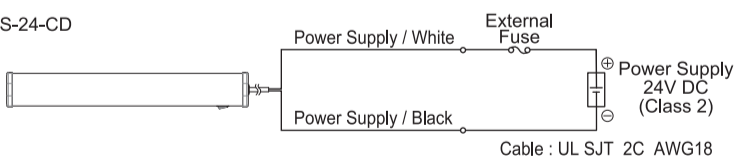
- Check that the proper voltage is connected before applying power.
- Do not pull on the cable, or try to push it inside the unit. Possible cause of failure may occur. In addition, allow a margin of slack for the wire and cable to prevent stress.
- Use a constant-voltage regulated power supply. Possible cause of failure may occur with the use of a constant current power supply. ([24] type only)
- Install a fuse to protect it from the power supply. The product can be protected by short-circuiting due to mis-wiring and overcurrents or overvoltages which can damage it.

### <Notice>

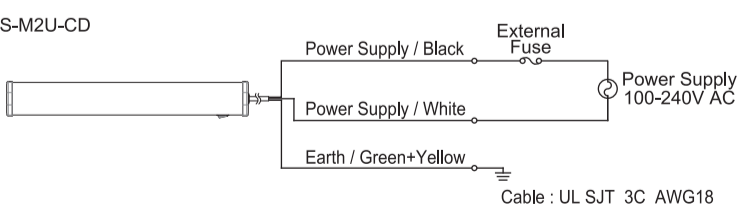
- Use a UL authenticated Class 2 power supply unit to connect power to this product. The power supply unit is a constant voltage type. ([24] type only)
- This product contains a 2A (slow-blow) fuse inside. Use an external fuse rated for the machine, which is connected to the product, to protect the machine from damage.

### Wiring Method

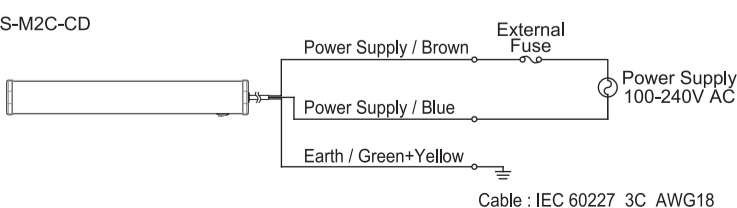
CWF□S-24-CD



CWF□S-M2U-CD



CWF□S-M2C-CD



## 6 Specifications

Model	CWF3S-24	CWF6S-24	CWF3S-M2□	CWF6S-M2□	CWF9S-M2□	
Color Temperature (typ.)	5700 K					
Illuminance (typ.) (Center)	1.0m	165 lx	320 lx	150 lx	320 lx	445 lx
		500 lm	1000 lm	500 lm	1000 lm	1500 lm
Total Luminous Flux (typ.)	24V DC		100-240V AC (50/60Hz)			
Rated Voltage	Rated Voltage ± 10%		90-264V AC			
Operating Voltage Range	5 W	10W	5 W	10 W	15 W	
Rated Power Consumption	- 25 °C ~ + 60 °C		- 20 °C ~ + 50 °C			
Operating Ambient Temperature	90% RH or less, no condensation					
Operation Ambient Humidity	Indoor					
Mounting Location	All Directions					
Mounting Direction	IP20					
Protection Rating	0.42 kg	0.57 kg	M2U:0.53 kg M2C:0.46 kg	M2U:0.68 kg M2C:0.6 kg	M2U:0.84 kg M2C:0.76 kg	
Mass (Tolerance ±10%)						

- (Note)
- Due to the characteristics of the LED, color temperature, brightness and hue will differ for every LED and every product.
  - Since all IP examinations are done according to specified conditions and regulated time, the protection rating is not guaranteed for an extended period of time.